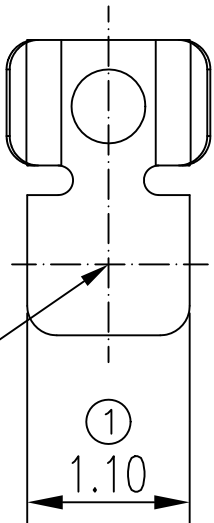
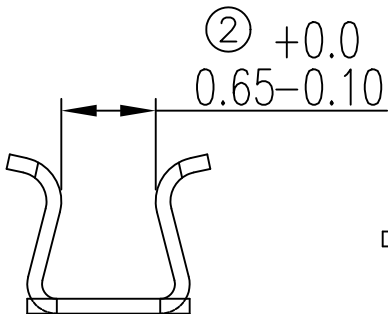


Place Area Nozzle



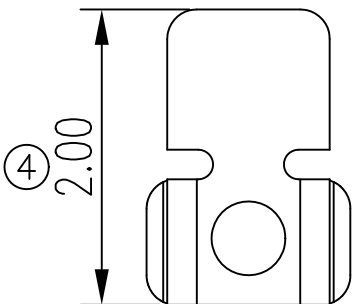
①
1.10



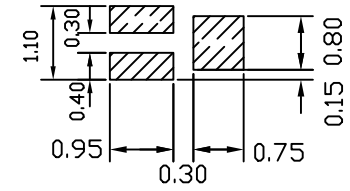
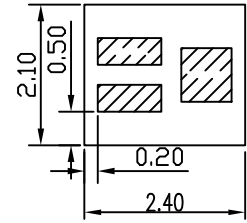
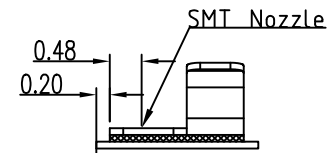
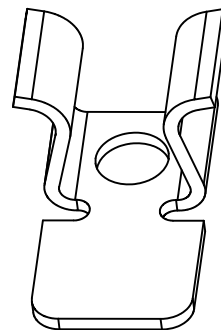
② +0.0
0.65-0.10

0.85

③ +0.15
1.08-0.05



④
2.00



RECOMMENDED SOLDERING PCB LAYOUT
TOLERANCE(.XX±0.05)

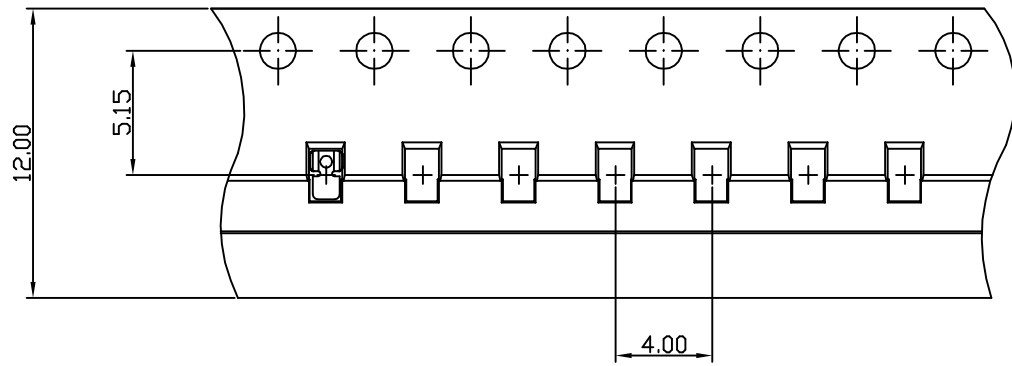
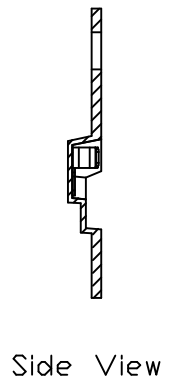
- Note:
1. Material: Stainless steel Thickness 0.1mm
 2. Electroplate:
Matte Sn over all
Nickel underplating over all
 3. Operating Temperature: -20℃~+85℃
 4. Recommended conditions Ø0.81mm

| TOLERANCE/CLASS | | | |
|-----------------|-------|------|------|
| RANGE(mm) | 1 | 2 | 3 |
| ≤30 | ±0.10 | 0.15 | 0.20 |
| 30<- ≤120 | ±0.15 | 0.20 | 0.30 |
| 120<- ≤300 | ±0.20 | 0.30 | 0.50 |
| 300< | ±0.30 | 0.50 | 0.80 |
| ANGLES | ±2.5° | | |

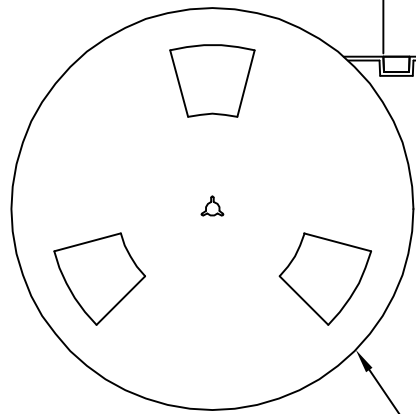
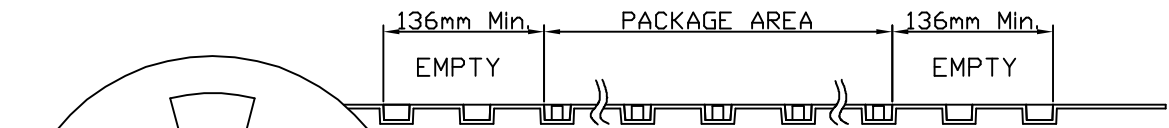
| | | | | | |
|-------------|-----------|----------------------------|--------------|------|--|
| 00 | 07/13-'17 | Design creation | | | |
| REV | Date | Description | | | |
| DRAFT | DATE | RoHS Compatible | | | |
| Owen Chiang | 07/13-'17 | | | | |
| CHECKER | DATE | | | | |
| Justin Wu | 07/13-'17 | | | | |
| APPROVAL | DATE | SHEET | SCALE | UNIT | |
| Jacky Lin | 07/13-'17 | 1-2 | Not to scale | mm | |

EMI STOP CORP.
EMI STOP

| | |
|-----------------------|---------|
| EMISTOP SV-08A3Q1M | CUS P/N |
|-----------------------|---------|



FEEDING DIRECTION




REEL(13")

Package Information:
 1.Quantity Per Reel: 9700PCS
 2.REEL: 13"X 12 mm

| | | | | |
|----------|-----------|-----------------|--------------------|--------------|
| 00 | 10/14-'19 | Design creation | | |
| REV | Date | Description | | |
| DRAFT | Andy □ | DATE | RoHS Compatible | |
| CHECKER | Justin Wu | DATE | | |
| APPROVAL | Jacky Lin | DATE | | |
| | 10/14-'19 | 10/14-'19 | SHEET | SCALE |
| | | | 2-2 | Not to scale |
| | | | mm | UNIT |
| | | | | ⊕ |

| TOLERANCE/CLASS | | | |
|-----------------|-------|------|------|
| RANGE(mm) | 1 | 2 | 3 |
| ≤30 | ±0.10 | 0.15 | 0.20 |
| 30<- ≤120 | ±0.15 | 0.20 | 0.30 |
| 120<- ≤300 | ±0.20 | 0.30 | 0.50 |
| 300< | ±0.30 | 0.50 | 0.80 |
| ANGLES | ±2.5° | | |

 **EMI STOP CORP.**
 EMI STOP
 EMISTOP SV-08A3Q1M CUS P/N