

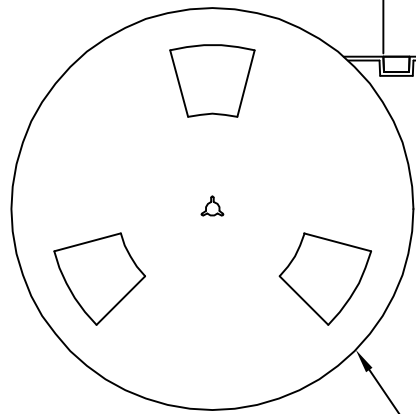
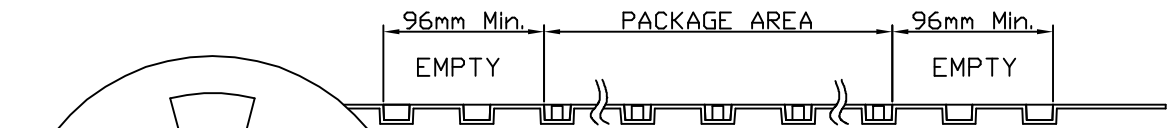
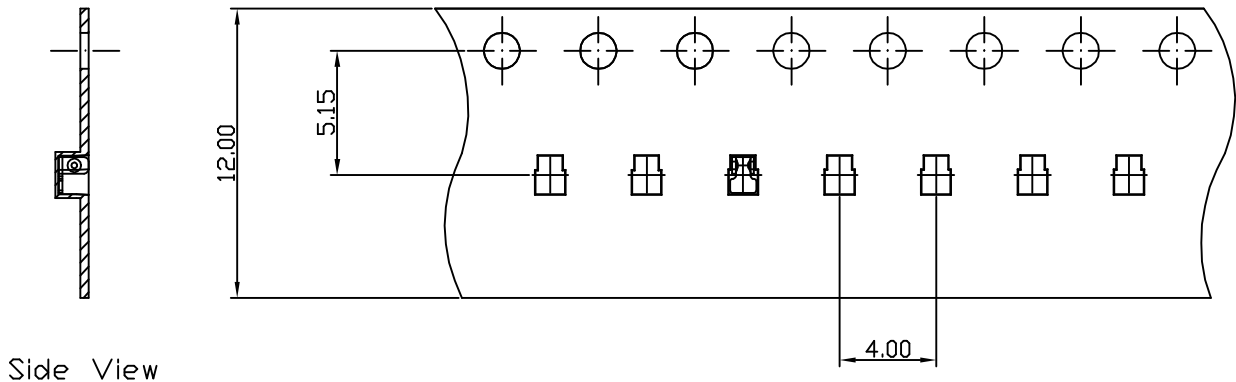
RECOMMENDED SOLDERING PCB LAYOUT
TOLERANCE(.XX±0.05)

Note:

1. Material: Stainless steel Thickness 0.15mm
2. Electroplate:
Au>1u" on contact area
Au>1u" on solder area
Nickel underplating over all
3. Operating Temperature: -20℃~+85℃
4. Recommended conditions Ø0.51mm

TOLERANCE/CLASS			
RANGE(mm)	1	2	3
≤30	±0.10	0.15	0.20
30<- ≤120	±0.15	0.20	0.30
120<- ≤300	±0.20	0.30	0.50
300<	±0.30	0.50	0.80
ANGLES	±2.5°		


00	03/06-'13	Design creation			
REV	Date	Description			
DRAFT	DATE	RoHS Compatible			
Bill Chang	03/06-'13				
CHECKER	DATE				
Gabby Weng	03/06-'13				
APPROVAL	DATE	SHEET	SCALE	UNIT	
Jacky Lin	03/06-'13	1-2	Not to scale	mm	
		EMI STOP CORP.			
EMISTOP		CUS P/N			
SV-05G					



Package Information:
 1.Quantity Per Reel: 3000PCS
 2.REEL: 7"X 12 mm

00	10/14-'19	Design creation		
REV	Date	Description		
DRAFT	Andy □	DATE	10/14-'19	RoHS Compatible
CHECKER	Justin Wu	DATE	10/14-'19	
APPROVAL	Jacky Lin	DATE	10/14-'19	SHEET 2-2
		SCALE	Not to scale	UNIT mm

TOLERANCE/CLASS			
RANGE(mm)	1	2	3
≤30	±0.10	0.15	0.20
30<- ≤120	±0.15	0.20	0.30
120<- ≤300	±0.20	0.30	0.50
300<	±0.30	0.50	0.80
ANGLES	±2.5°		

 **EMI STOP CORP.**
 EMI STOP
 EMISTOP SV-05G

CUS P/N