

RECOMMENDED SOLDERING PCB LAYOUT
TOLERANCE(.XX±0.05)

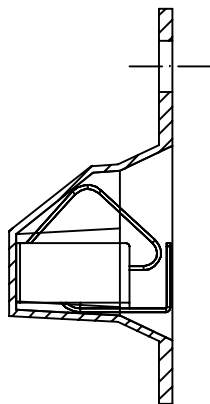
Note:

1. Material: Copper Alloy Thickness 0.12mm
2. Electroplate:
 - Gold Flash on contact area
 - Gold Flash on solder area
 - Nickel underplating over all
3. Electrical Characteristics:
 - 3-1 Current Voltage: 12V
 - 3-2 Current Rate: 3A
 - 3-3 Contact Resistance: Normal Compression < 30mΩ
4. Working Range of Application: 0.50~1.00 mm
5. Spring Force Tolerance is ±20gf
6. Operating Temperature: -20℃~+85℃

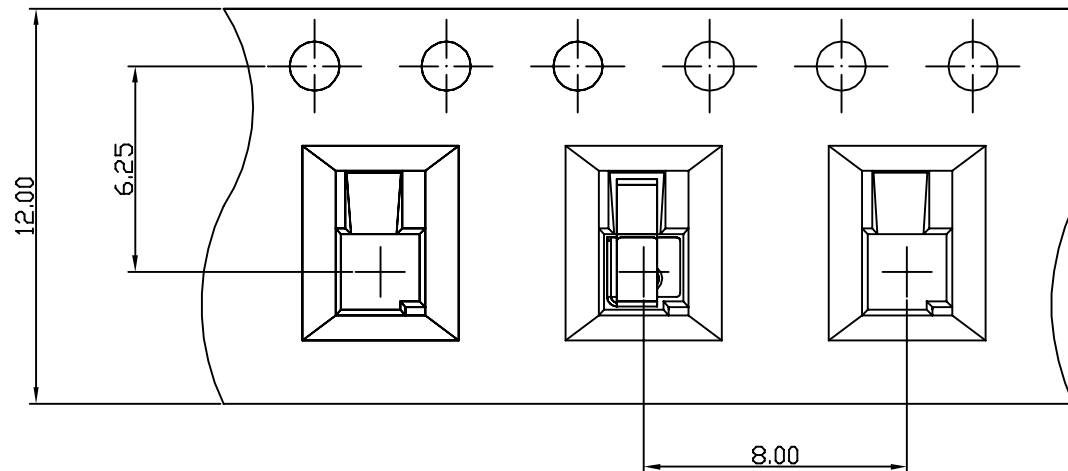
00	05/25-'15	Design creation		
REV	Date	Description		
DRAFT		DATE	RoHS Compatible	
Hardy Hsieh		05/25-'15		
CHECKER		DATE		
Justin Wu		05/25-'15		
APPROVAL		DATE	SHEET	SCALE
Jacky Lin		05/25-'15	1-2	Not to scale
		UNIT		
		mm		

TOLERANCE/CLASS			
RANGE(mm)	1	2	3
≤30	±0.10	0.15	0.20
30< - ≤120	±0.15	0.20	0.30
120< - ≤300	±0.20	0.30	0.50
300<	±0.30	0.50	0.80
ANGLES	±2.5°		

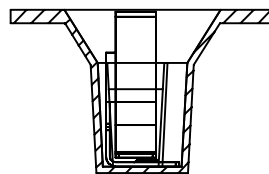
EMI STOP CORP.
 EMI STOP
 EMISTOP JC-394722Q1G CUS P/N



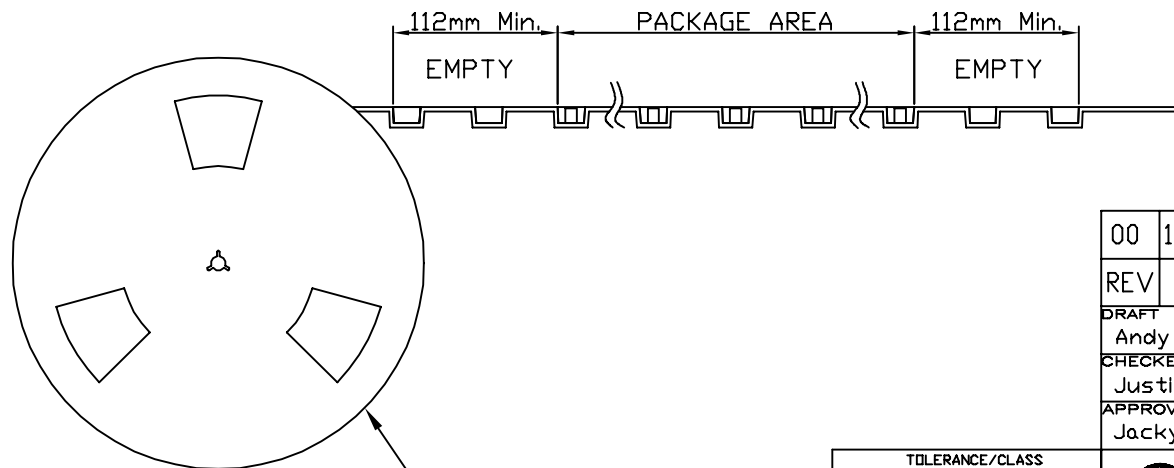
Side View



FEEDING DIRECTION



Front View



Package Information:
 1.Quantity Per Reel: 1700PCS
 2.REEL: 13"X 12 mm

00	10/23-'19	Design creation		
REV	Date	Description		
DRAFT Andy □		DATE 10/23-'19	RoHS Compatible	
CHECKER Justin Wu		DATE 10/23-'19		
APPROVAL Jacky Lin		DATE 10/23-'19	SHEET 2-2	SCALE Not to scale
		UNIT mm		

TOLERANCE/CLASS			
RANGE(mm)	1	2	3
≤30	±0.10	0.15	0.20
30< - ≤120	±0.15	0.20	0.30
120< - ≤300	±0.20	0.30	0.50
300<	±0.30	0.50	0.80
ANGLES	±2.5°		

EMI STOP CORP.
 EMI STOP
 EMISTOP JC-394722Q1G

CUS P/N