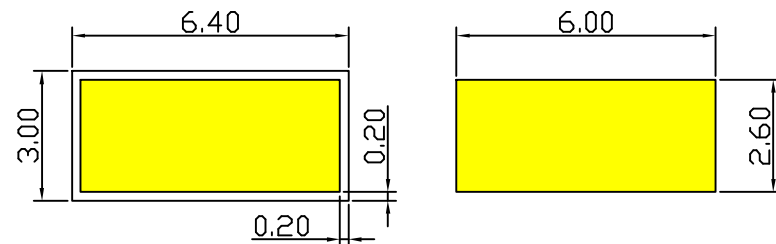
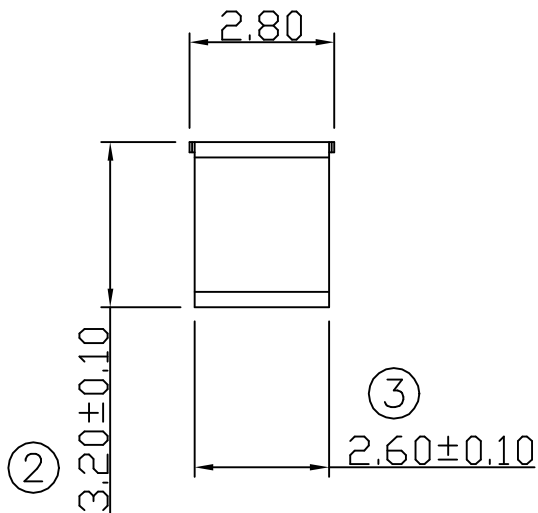
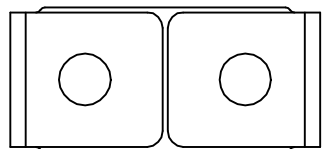
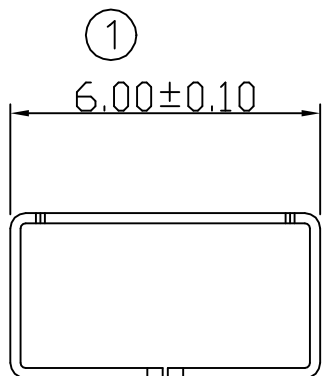
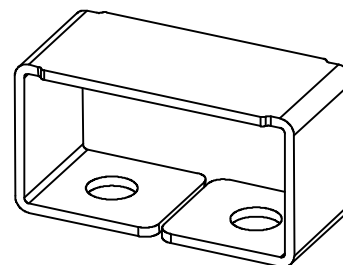


01 03-02



RECOMMENDED SOLDERING PCB LAYOUT

TOLERANCE(.XX±0.05)



Note:

- 1. Material: Phosphorus bronze Thickness 0.20mm
- 2. Electroplate:
  - Gold Flash on contact area
  - Gold Flash on solder area
  - Nickel underplating over all
- 3. Electrical Characteristics:
  - 3-1 Current Voltage: 12V
  - 3-2 Current Rate: 3A
  - 3-3 Contact Resistance: Normal Compression < 30mΩ
- 4. Operating Temperature: -20°C ~ +85°C

TOLERANCE/CLASS			
RANGE(mm)	1	2	3
≤30	±0.10	0.15	0.20
30<- ≤120	±0.15	0.20	0.30
120<- ≤300	±0.20	0.30	0.50
300<	±0.30	0.50	0.80
ANGLES	±2.5°		

00	08/28-'08	Design creation						
REV	Date	Description						
DRAFT	Sunyo Gi	DATE	08/28-'08	<b>RoHS Compatible</b>				
CHECKER	Benedict Liang	DATE	08/28-'08					
APPROVAL	Jacky Lin	DATE	08/28-'08					
		SHEET	1-2	SCALE	Not to scale	UNIT	mm	



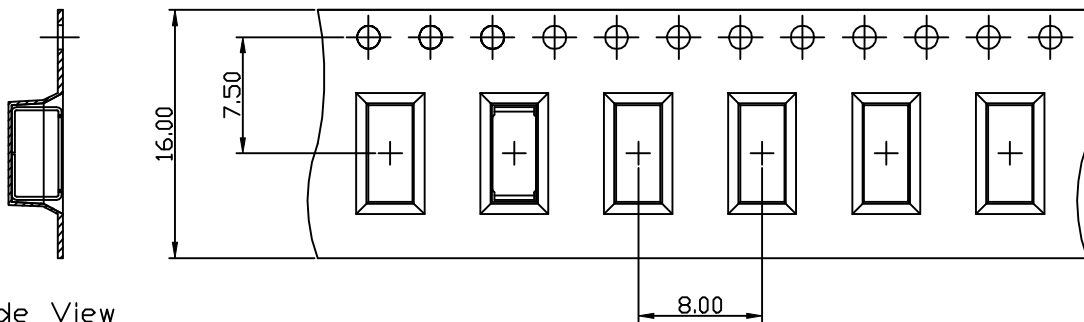
**EMI STOP CORP.**

EMI STOP

EMISTOP  
SQ-32G

CUS P/N

00 10/18-'19

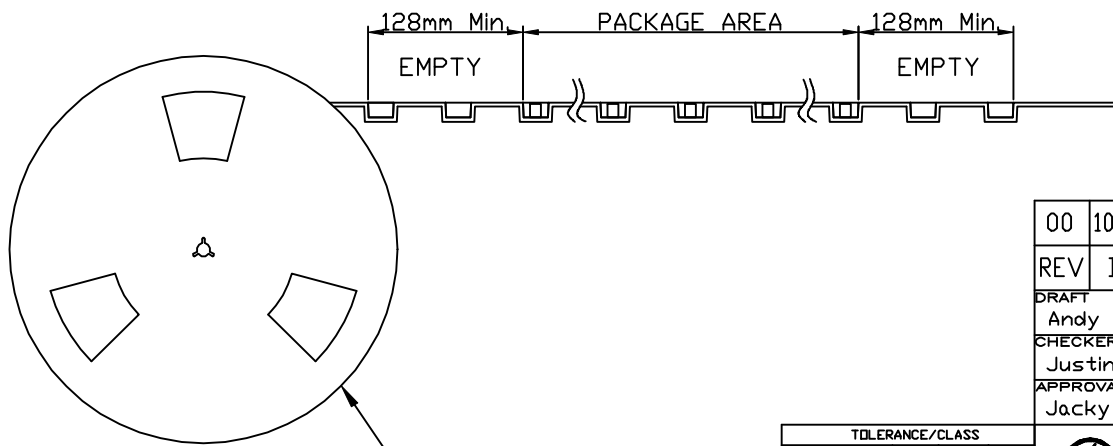


Side View



Front View

FEEDING DIRECTION



Package Information:  
 1.Quantity Per Reel: 2500PCS  
 2.REEL: 13"X 12 mm

REEL(13")

00	10/18-'19	Design creation		
REV	Date	Description		
DRAFT	DATE	<b>RoHS Compatible</b>		
Andy D	10/18-'19			
CHECKER	DATE			
Justin Wu	10/18-'19			
APPROVAL	DATE	SHEET	SCALE	UNIT
Jacky Lin	10/18-'19	2-2	Not to scale	mm

TOLERANCE/CLASS			
RANGE(mm)	1	2	3
≤30	±0.10	0.15	0.20
30<- ≤120	±0.15	0.20	0.30
120<- ≤300	±0.20	0.30	0.50
300<	±0.30	0.50	0.80
ANGLES	±2.5°		



**EMI STOP CORP.**

EMI STOP

EMISTOP  
SQ-32G

CUS P/N