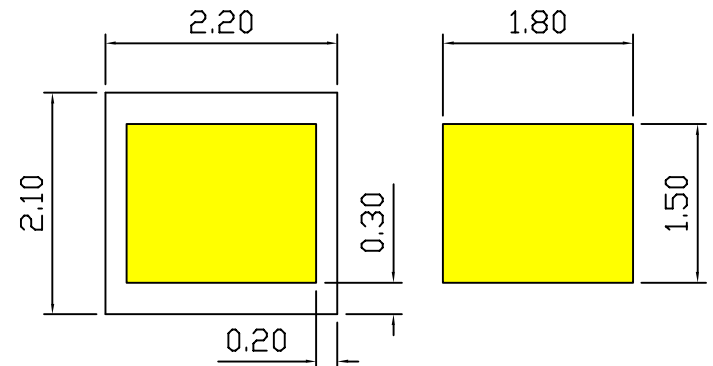
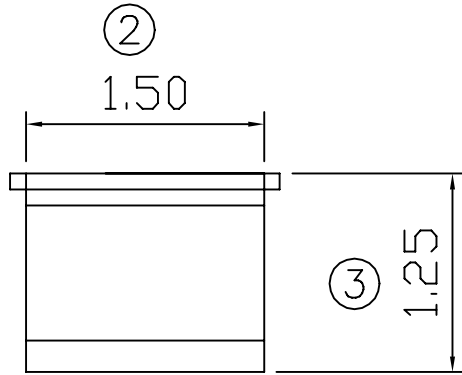
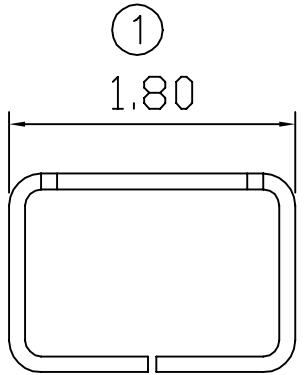
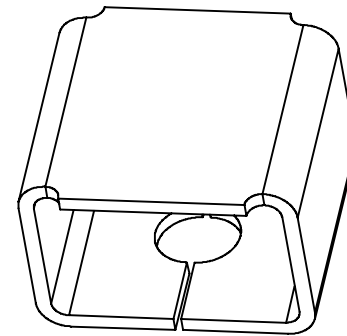
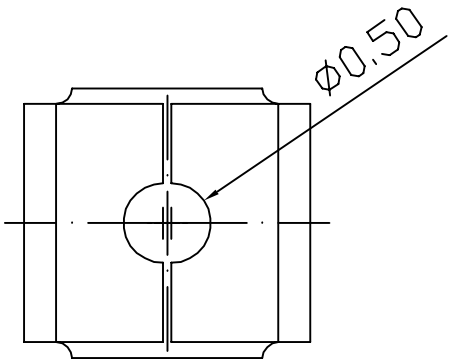


00 04/18-'12



RECOMMENDED SOLDERING PCB LAYOUT

TOLERANCE(.XX±0.05)

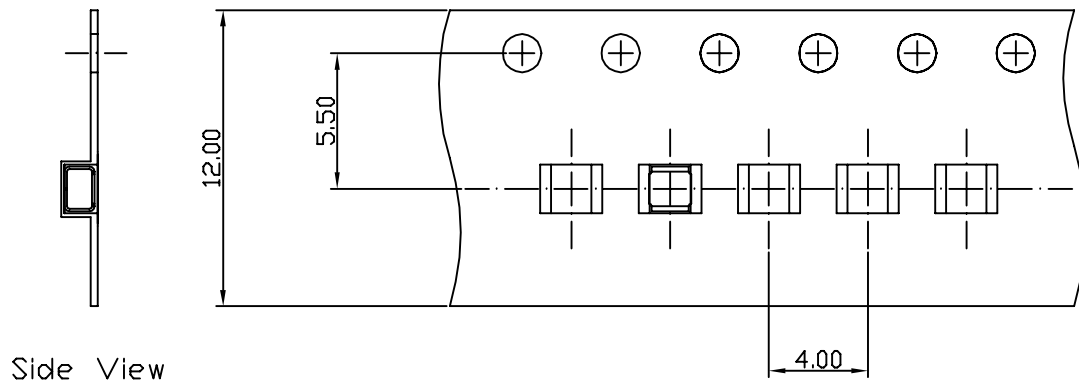


Note:

1. Material: Phosphorus bronze Thickness 0.10mm
2. Electroplate:
 - Au>1u" on contact area
 - Au>1u" on solder area
 - Nickel underplating over all
3. Electrical Characteristics:
 - 3-1 Current Voltage: 12V
 - 3-2 Current Rate: 3A
 - 3-3 Contact Resistance: Normal Compression<30mΩ
4. Operating Temperature: -20℃~+85℃

TOLERANCE/CLASS			
RANGE(mm)	1	2	3
≤30	±0.10	0.15	0.20
30<- ≤120	±0.15	0.20	0.30
120<- ≤300	±0.20	0.30	0.50
300<	±0.30	0.50	0.80
ANGLES	±2.5°		

00	04/18-'12	Design creation			
REV	Date	Description			
DRAFT	Hardy Hsieh	DATE	04/18-'12	RoHS Compatible	
CHECKER	Gabby Weng	DATE	04/18-'12		
APPROVAL	Jacky Lin	DATE	04/18-'12	SHEET	1-2
		SCALE	Not to scale	UNIT	mm
		EMI STOP CORP.			
EMISTOP		SQ-12A3G		CUS P/N	

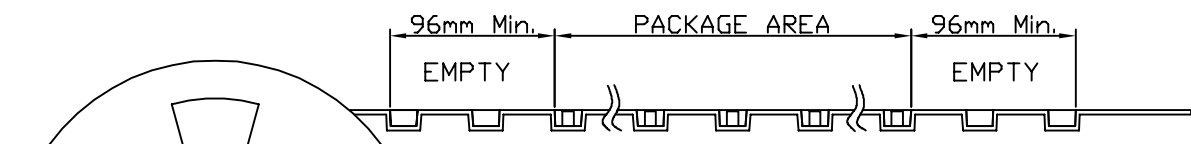


Side View

FEEDING DIRECTION



Front View




REEL(7")

Package Information:
 1.Quantity Per Reel: 3000PCS
 2.REEL: 7"X 12 mm

00	11/20-'19	Design creation	
REV	Date	Description	
DRAFT Andy □		DATE 11/20-'19	RoHS Compatible
CHECKER Justin Wu		DATE 11/20-'19	
APPROVAL Jacky Lin		DATE 11/20-'19	SHEET 2-2
		SCALE Not to scale	UNIT mm

TOLERANCE/CLASS			
RANGE(mm)	1	2	3
≤30	±0.10	0.15	0.20
30<- ≤120	±0.15	0.20	0.30
120<- ≤300	±0.20	0.30	0.50
300<	±0.30	0.50	0.80
ANGLES	±2.5°		


EMI STOP CORP.
 EMI STOP
 EMISTOP
 SQ-12A3G

CUS P/N