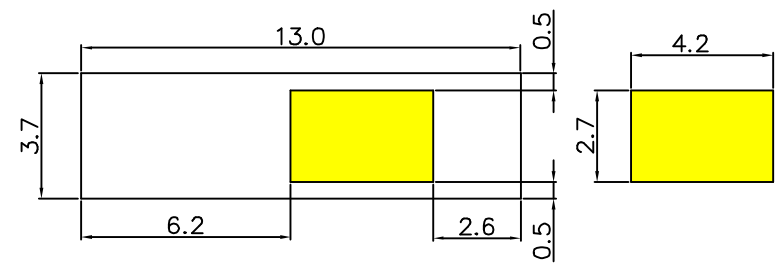
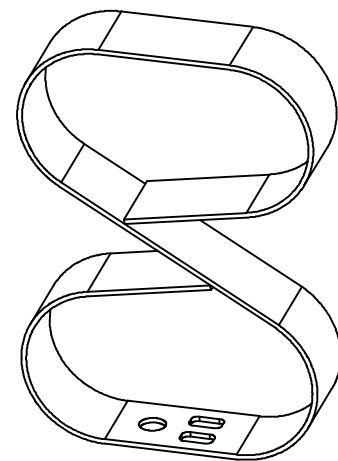
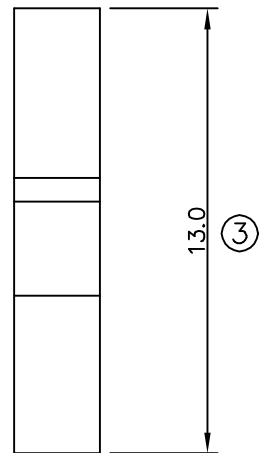
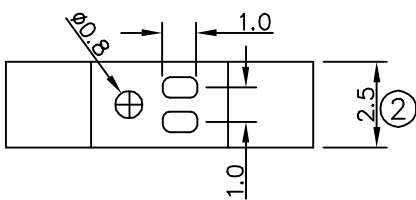
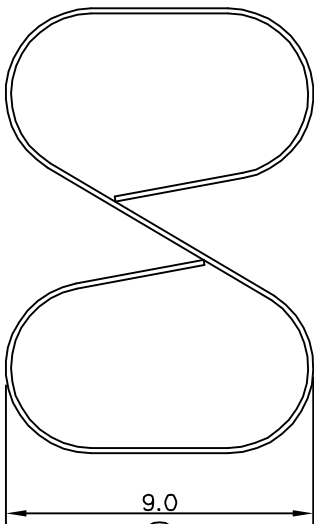
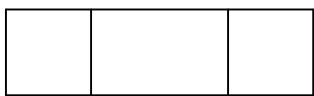
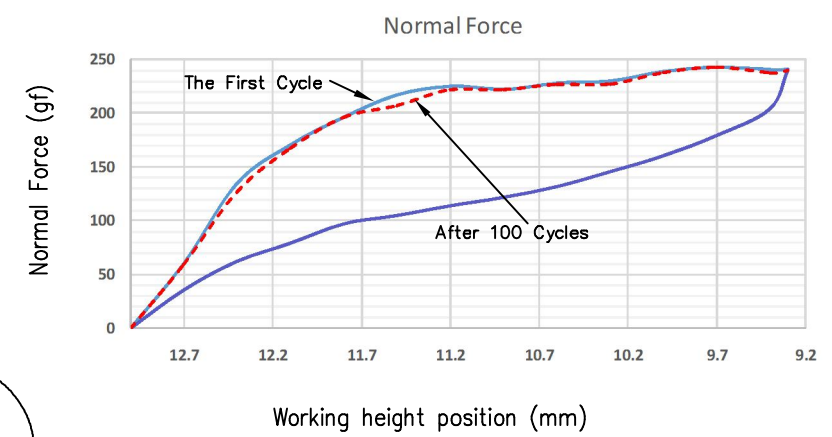


0011/13-'06



RECOMMENDED SOLDERING PCB LAYOUT
TOLERANCE(.XX±0.05)

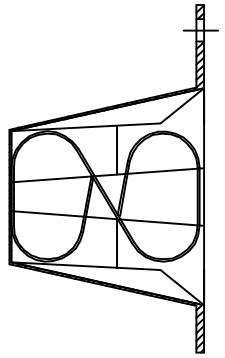


- Note:
- Material: Beryllium Copper Thickness 0.15mm
 - Electroplate:
Gold Flash on contact area
Gold Flash on solder area
Nickel underplating over all
 - Electrical Characteristics:
3-1 Current Voltage: 12V
3-2 Current Rate: 3A
3-3 Contact Resistance: Normal Compression < 30mΩ
 - Working Height of Application: 9.30 ~ 12.60 mm
 - Spring Force Tolerance is ±30gf
 - Operating Temperature: -20℃~+85℃

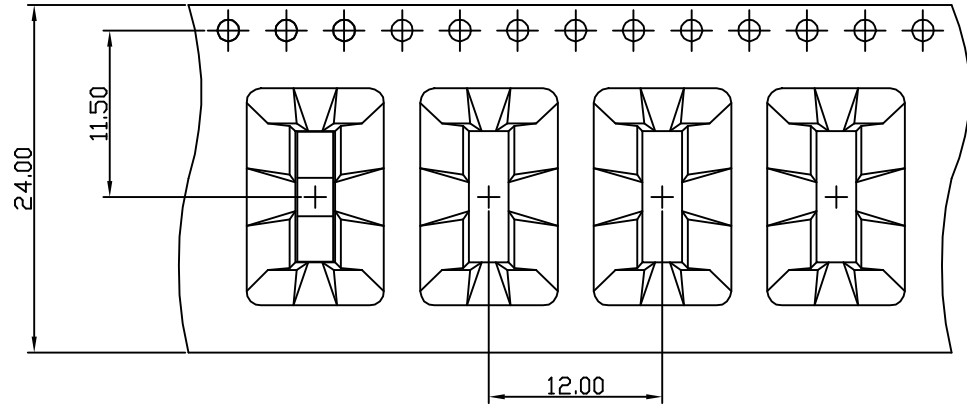
TOLERANCE/CLASS			
RANGE(mm)	1	2	3
≤30	+ 0.1	+ 0.15	+ 0.3
30< - ≤120	+ 0.15	+ 0.2	+ 0.4
120< - ≤300	+ 0.2	+ 0.3	+ 0.5
300<	+ 0.3	+ 0.5	+ 0.8
ANGLES	+ 2.0°		

00	11/13-'06	Design creation			
REV	Date	Description			
DRAFT	Dick Chang	DATE	11/13-'06	RoHS Compatible	
CHECKER	Jacky Lin	DATE	11/13-'06		
APPROVAL	Gary Chen	DATE	11/13-'06	SHEET	1-2
		SCALE	Not to scale	UNIT	mm
EMI STOP CORP.					
EMISTOP S8-130RG			CUS P/N		

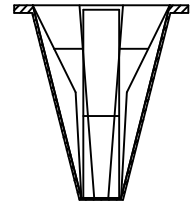
00 09/05-19'



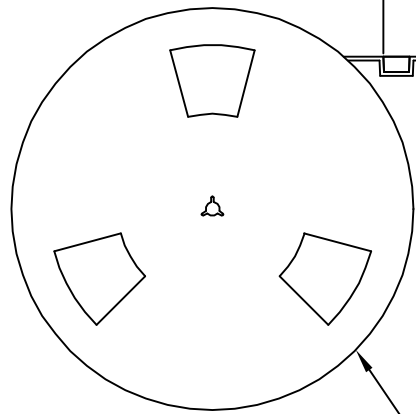
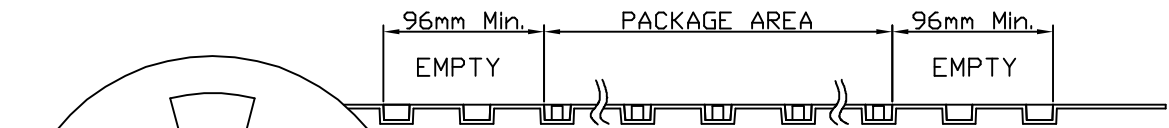
Side View



FEEDING DIRECTION



Front View




REEL(13")

Package Information:
 1.Quantity Per Reel: 400PCS
 2.REEL: 13"X 24 mm

00	09/05-19'	Design creation		
REV	Date	Description		
DRAFT	Andy □	DATE	RoHS Compatible	
CHECKER	Justin Wu	DATE	09/05-19'	
APPROVAL	Jacky Lin	DATE	SHEET	SCALE
		09/05-19'	2-2	Not to scale

TOLERANCE/CLASS			
RANGE(mm)	1	2	3
≤30	±0.10	0.15	0.20
30<- ≤120	±0.15	0.20	0.30
120<- ≤300	±0.20	0.30	0.50
300<	±0.30	0.50	0.80
ANGLES	±2.5°		

 **EMI STOP CORP.**
 EMI STOP
 EMISTOP S8-130RG
 CUS P/N