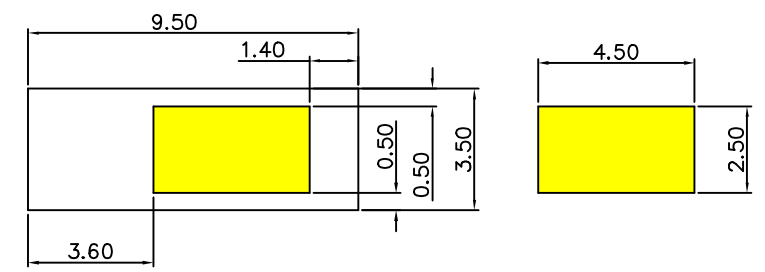
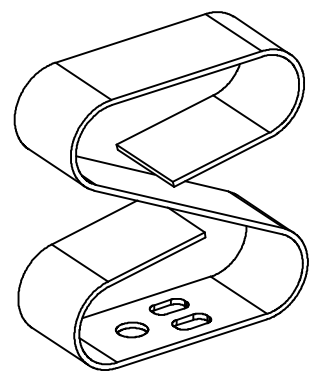
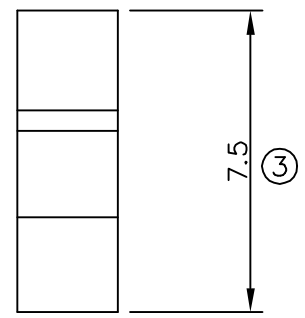
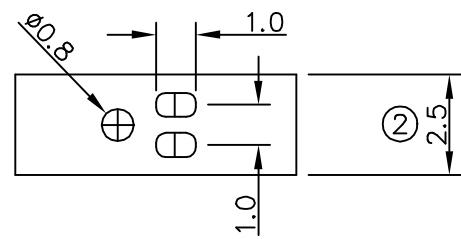
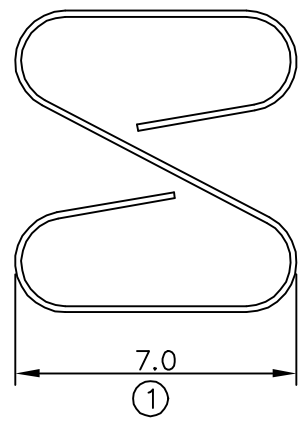
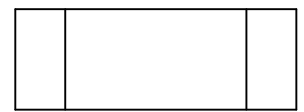
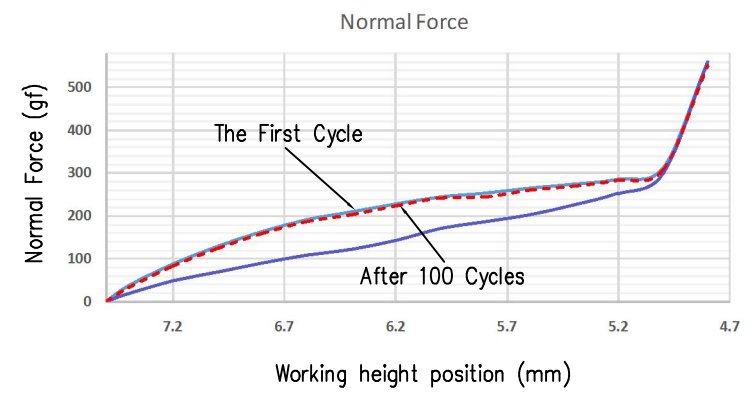


00 05/05-'06



RECOMMENDED SOLDERING PCB LAYOUT  
TOLERANCE(.XX±0.05)

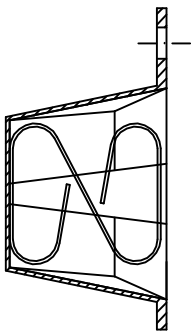


- Note:
1. Material: Beryllium copper Thickness 0.15mm
  2. Electroplate:  
Gold Flash on contact area  
Gold Flash on solder area  
Nickel underplating over all
  3. Electrical Characteristics:  
3-1 Current Voltage: 12V  
3-2 Current Rate: 3A  
3-3 Contact Resistance: Normal Compression < 30mΩ
  4. Working Height of Application: 4.8~7.2 mm
  5. Spring Force Tolerance is ±30gf
  6. Operating Temperature: -20℃~+85℃

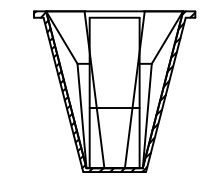
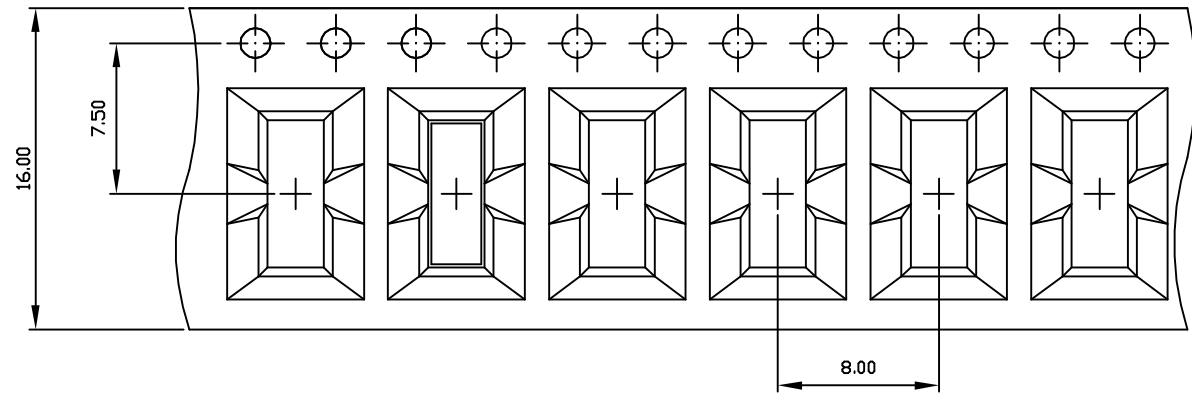
TOLERANCE/CLASS			
RANGE(mm)	1	2	3
≤30	±0.10	0.15	0.20
30< ≤120	±0.15	0.20	0.30
120< ≤300	±0.20	0.30	0.50
300<	±0.30	0.50	0.80
ANGLES	±2.5°		

00	05/05-'06	Design creation			
REV	Date	Description			
DRAFT	Dick Chang	DATE	05/05-'06	RoHS Compatible	
CHECKER	Jacky Lin	DATE	05/05-'06		
APPROVAL	Gary Chen	DATE	05/05-'06		
		SCALE	Not to scale	UNIT	mm

**EMI STOP CORP.**  
EMI STOP  
EMISTOP S8-75RG CUS P/N

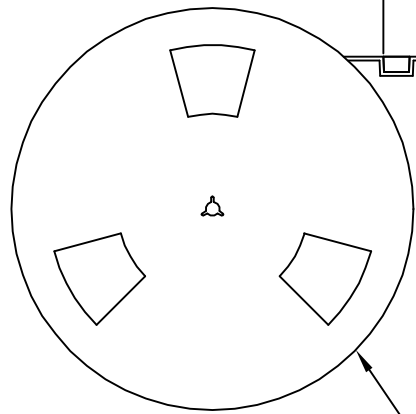
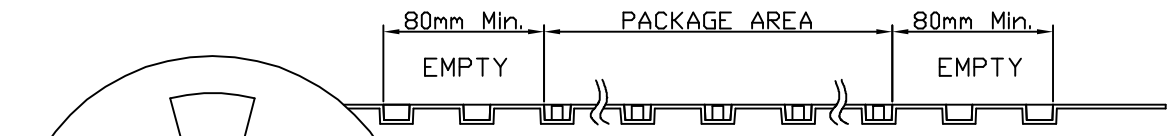


Side View



Front View

FEEDING DIRECTION




REEL(13")

Package Information:  
 1.Quantity Per Reel: 1000PCS  
 2.REEL: 13"X 16 mm

TOLERANCE/CLASS			
RANGE(mm)	1	2	3
≤30	±0.10	0.15	0.20
30<- ≤120	±0.15	0.20	0.30
120<- ≤300	±0.20	0.30	0.50
300<	±0.30	0.50	0.80
ANGLES	±2.5°		

00	11/05-'19	Design creation			
REV	Date	Description			
DRAFT	Kevin Chen	DATE	11/05-'19	<b>RoHS Compatible</b>	
CHECKER	Justin Wu	DATE	11/05-'19		
APPROVAL	Jacky Lin	DATE	11/05-'19	SHEET	2-2
		SCALE	Not to scale	UNIT	mm

 **EMI STOP CORP.**  
 EMI STOP  
 EMISTOP S8-75RG  
 CUS P/N