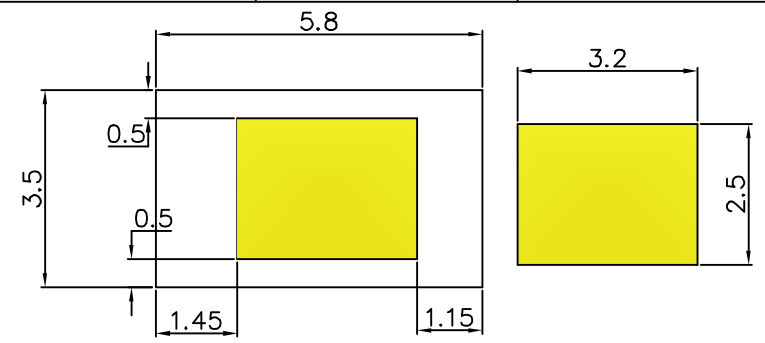
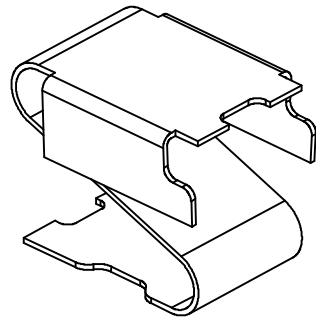
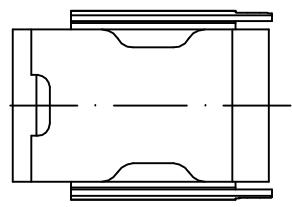
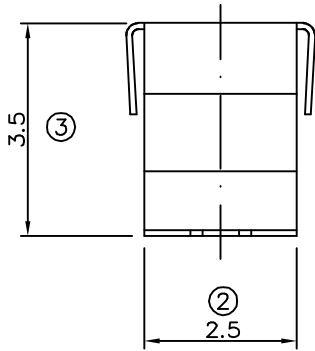
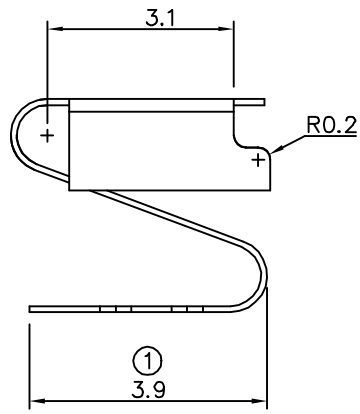
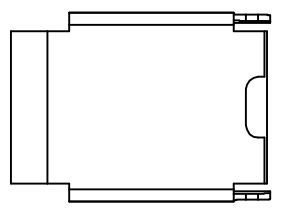
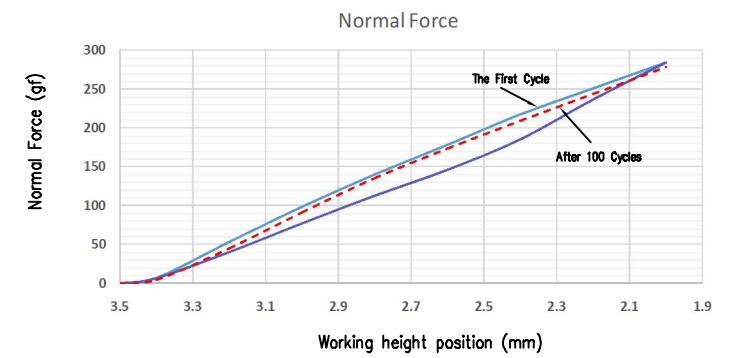


00 09/24-'08



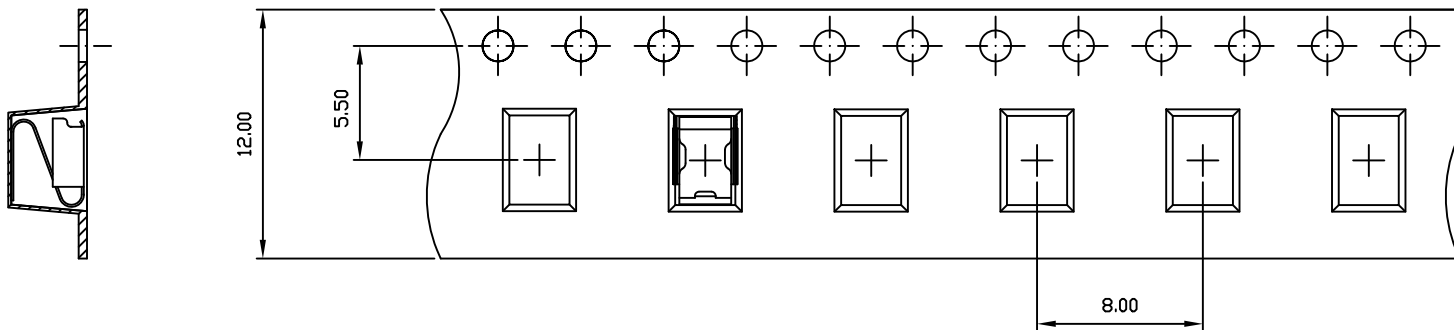
RECOMMENDED SOLDERING PCB LAYOUT
TOLERANCE(.XX±0.05)



- Note:
1. Material: Beryllium copper Thickness 0.10mm
 2. Electroplate:
Gold Flash on contact area
Gold Flash on solder area
Nickel underplating over all
 3. Electrical Characteristics:
3-1 Current Voltage: 12V
3-2 Current Rate: 3A
3-3 Contact Resistance: Normal Compression <math>< 30\text{m}\Omega</math>
 4. Working Height of Application: 2.0~3.2 mm
 5. Spring Force Tolerance is $\pm 20\text{gf}$
 6. Operating Temperature: $-20\text{ }^{\circ}\text{C} \sim +85\text{ }^{\circ}\text{C}$

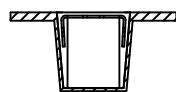
TOLERANCE/CLASS			
RANGE(mm)	1	2	3
≤ 30	± 0.10	0.15	0.20
$30 < \leq 120$	± 0.15	0.20	0.30
$120 < \leq 300$	± 0.20	0.30	0.50
$300 <$	± 0.30	0.50	0.80
ANGLES	$\pm 2.5^{\circ}$		

00	09/24-'08	Design creation			
REV	Date	Description			
DRAFT	Timmy Lai	DATE	09/24-'08	RoHS Compatible	
CHECKER	Benedict Liang	DATE	09/24-'08		
APPROVAL	Jacky Lin	DATE	09/24-'08	SHEET	1-2
		SCALE	Not to scale	UNIT	mm
EMI STOP CORP.					
EMISTOP PS-35G		CUS P/N			

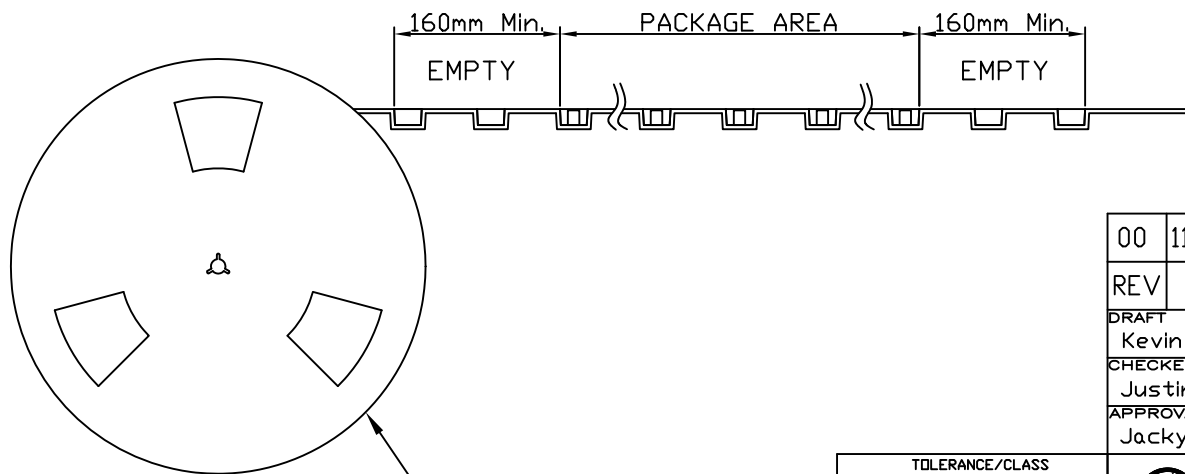


Side View

FEEDING DIRECTION



Front View



REEL(13")

Package Information:
 1.Quantity Per Reel: 2000PCS
 2.REEL: 13"X 12 mm

00	11/06-'19	Design creation		
REV	Date	Description		
DRAFT	Kevin Chen	DATE	11/06-'19	RoHS Compatible
CHECKER	Justin Wu	DATE	11/06-'19	
APPROVAL	Jacky Lin	DATE	11/06-'19	SHEET 2-2
		SCALE	Not to scale	UNIT mm

TOLERANCE/CLASS			
RANGE(mm)	1	2	3
≤30	±0.10	0.15	0.20
30<- ≤120	±0.15	0.20	0.30
120<- ≤300	±0.20	0.30	0.50
300<	±0.30	0.50	0.80
ANGLES	±2.5°		



EMI STOP CORP.

EMI STOP

EMISTOP
PS-35G

CUS P/N