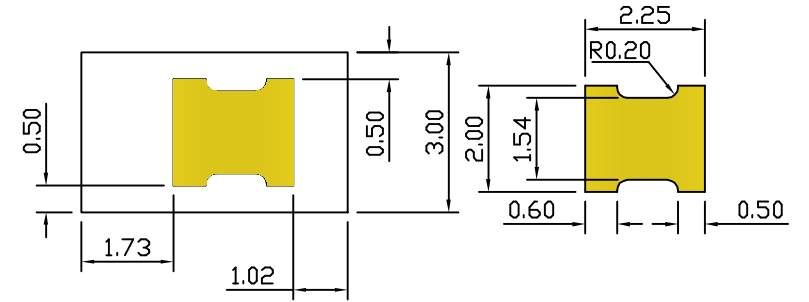
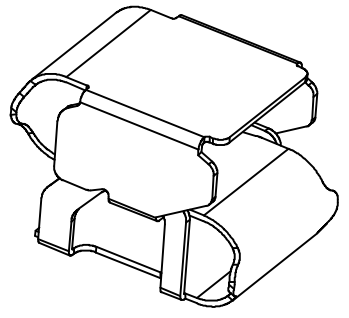
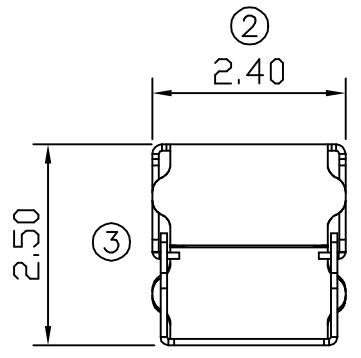
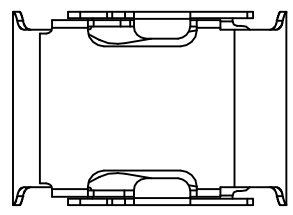
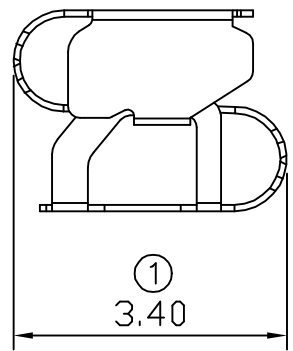
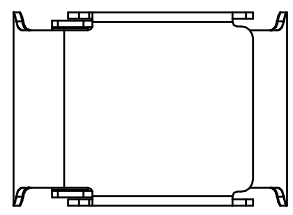
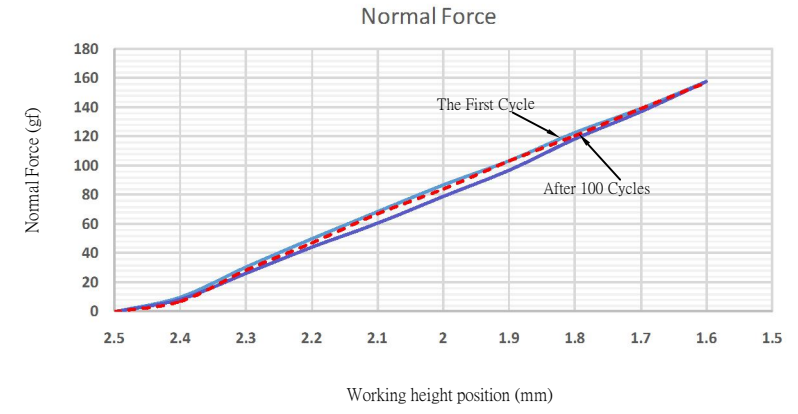


02 03/30-'15



RECOMMENDED SOLDERING PCB LAYOUT

TOLERANCE(.XX±0.05)



Note:

1. Material: Copper Alloy Thickness 0.08mm
2. Electroplate:
 - Au >1u' on contact area
 - Au >1u' on solder area
 - Nickel underplating over all
3. Electrical Characteristics:
 - 3-1 Current Voltage: 12V
 - 3-2 Current Rate: 3A
 - 3-3 Contact Resistance: Normal Compression < 30mΩ
4. Working Height of Application: 2.0~3.2 mm
5. Spring Force Tolerance is ±20gf
6. Operating Temperature: -20℃~+85℃

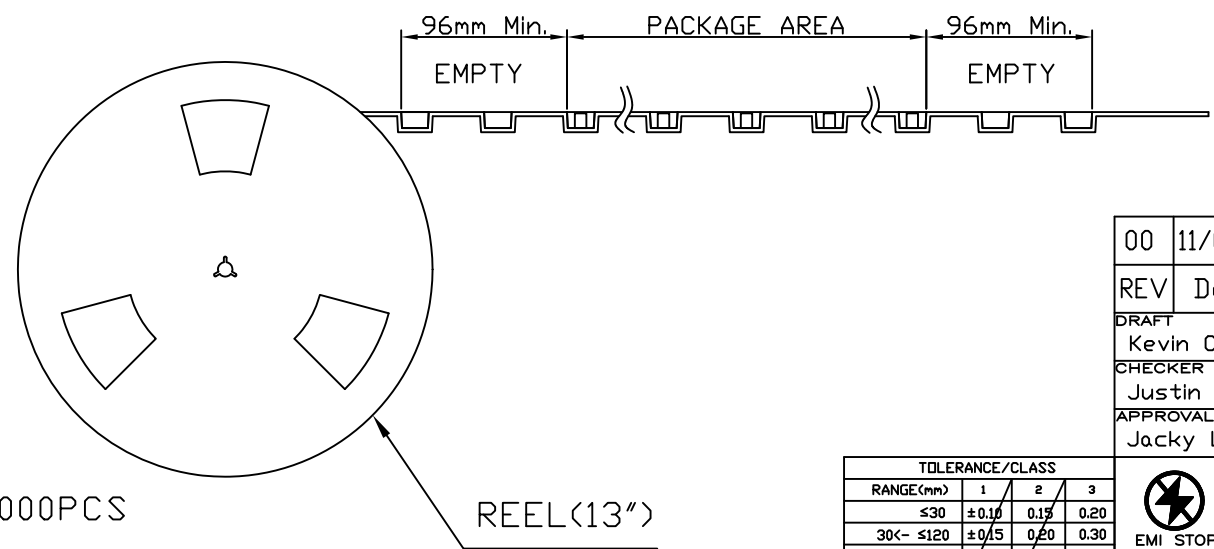
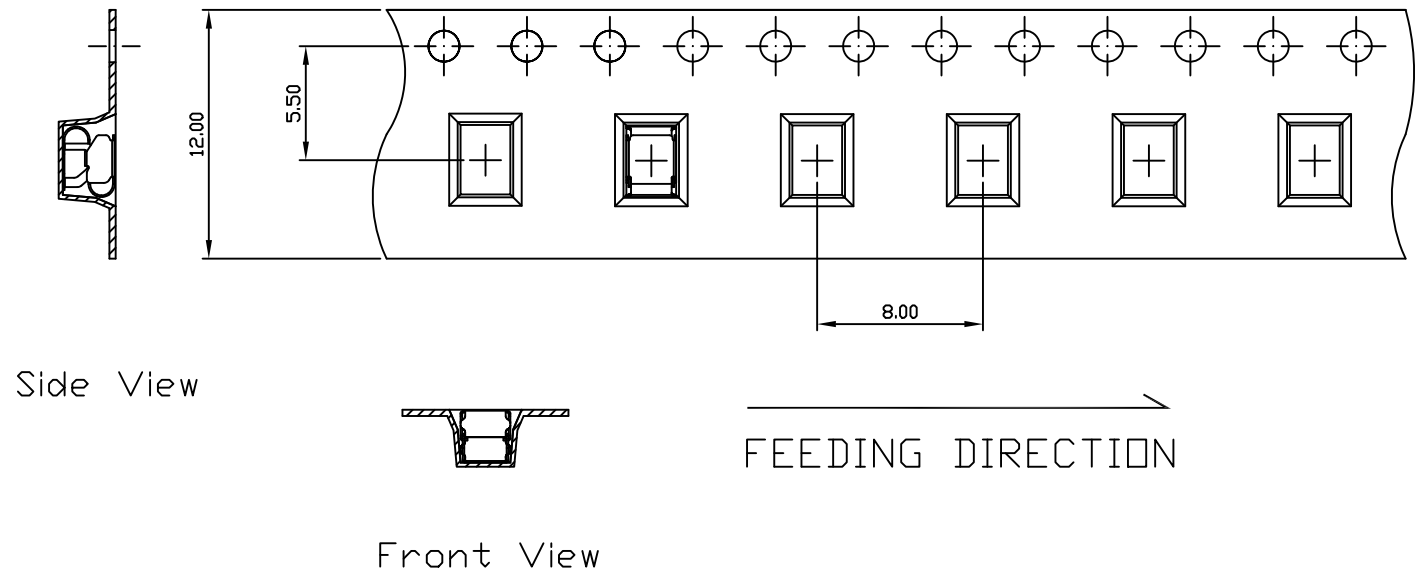
01	03/30-'15	Shape adjustment
00	03/22-'13	Design creation
REV	Date	Description
DRAFT	Robin Liao	DATE 03/22-'13
CHECKER	Gabby Weng	DATE 03/22-'13
APPROVAL	Jacky Lin	DATE 03/22-'13
		SHEET 1-2
		SCALE Not to scale
		UNIT mm
		⊕

RoHS Compatible

TOLERANCE/CLASS			
RANGE(mm)	1	2	3
≤30	±0.10	0.15	0.20
30<- ≤120	±0.15	0.20	0.30
120<- ≤300	±0.20	0.30	0.50
300<	±0.30	0.50	0.80
ANGLES	±2.5°		

EMI STOP CORP.

EMISTOP PS-25A1Q1G CUS P/N



Package Information:
 1.Quantity Per Reel: 3000PCS
 2.REEL: 13"X 12 mm

00	11/06-19'	Design creation		
REV	Date	Description		
DRAFT	DATE	RoHS Compatible		
Kevin Chen	11/06-'19			
CHECKER	DATE			
Justin Wu	11/06-'19			
APPROVAL	DATE	SHEET	SCALE	UNIT
Jacky Lin	11/06-'19	2-2	Not to scale	mm

TOLERANCE/CLASS			
RANGE(mm)	1	2	3
≤30	±0.10	0.15	0.20
30<- ≤120	±0.15	0.20	0.30
120<- ≤300	±0.20	0.30	0.50
300<	±0.30	0.50	0.80
ANGLES	±2.5°		

EMI STOP CORP.

EMI STOP

EMISTOP PS-25A1Q1G

CUS P/N