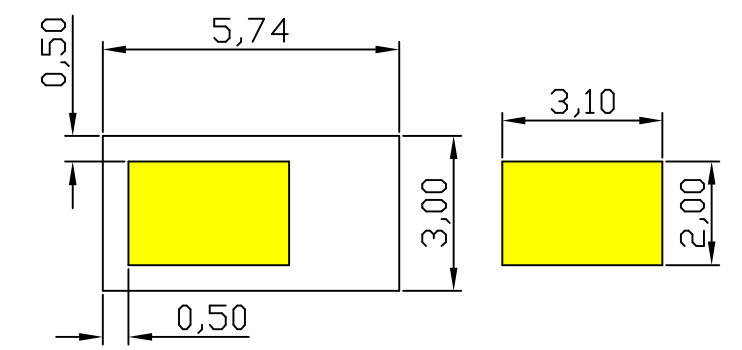
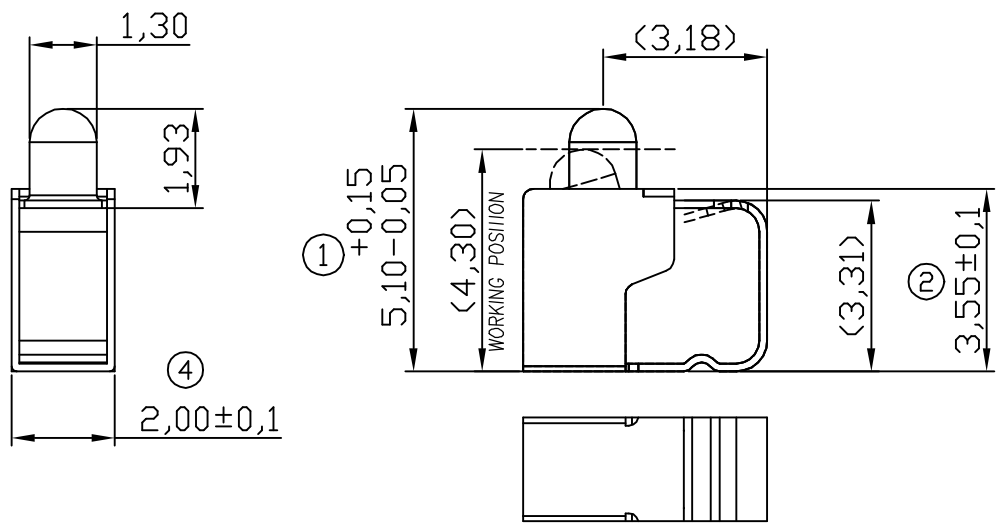
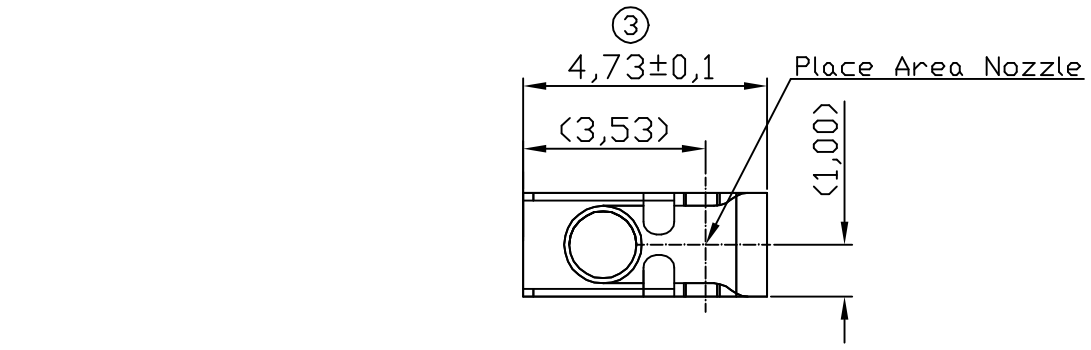
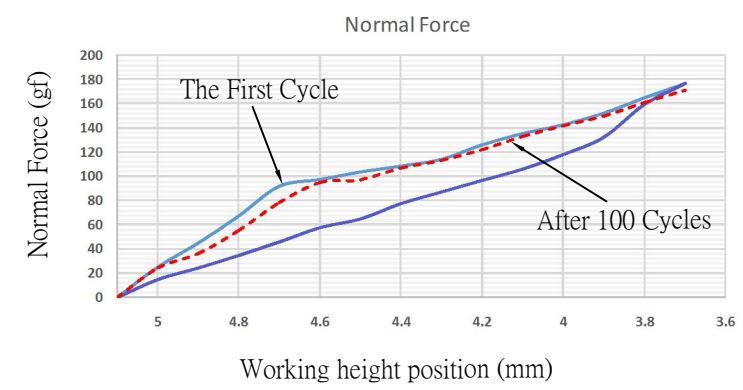


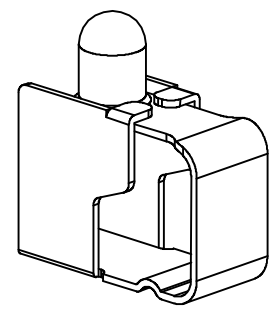
00 04/22-'16



RECOMMENDED SOLDERING PCB LAYOUT
TOLERANCE (.XX±0.05)



- Note:
1. Material: Phosphorus Bronze Thickness 0.15mm
 2. Electroplate:
 - Gold Flash on contact area
 - Gold Flash on solder area
 - Nickel underplating over all
 3. Electrical Characteristics:
 - 3-1 Current Voltage: 12V
 - 3-2 Current Rate: 3A
 - 3-3 Contact Resistance: Normal Compression $\langle 30 \text{m}\Omega$
 4. Working Height of Application: 3.70~4.60 mm
 5. Spring Force Tolerance is $\pm 20 \text{gf}$
 6. Operating Temperature: $-20^\circ\text{C} \sim +85^\circ\text{C}$



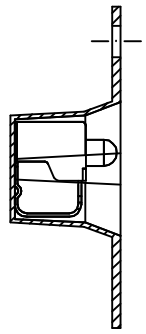
00	03/22-'16	Design creation		
REV	Date	Description		
DRAFT	Hardy Hsieh	DATE	03/22-'16	RoHS Compatible
CHECKER	Justin Wu	DATE	03/22-'16	
APPROVAL	Jacky Lin	DATE	03/22-'16	SHEET 1-2
		SCALE	Not to scale	UNIT mm

TOLERANCE/CLASS			
RANGE(mm)	1	2	3
≤30	±0.10	0.15	0.20
30<- ≤120	±0.15	0.20	0.30
120<- ≤300	±0.20	0.30	0.50
300<	±0.30	0.50	0.80
ANGLES	±2.5°		

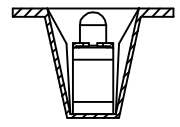
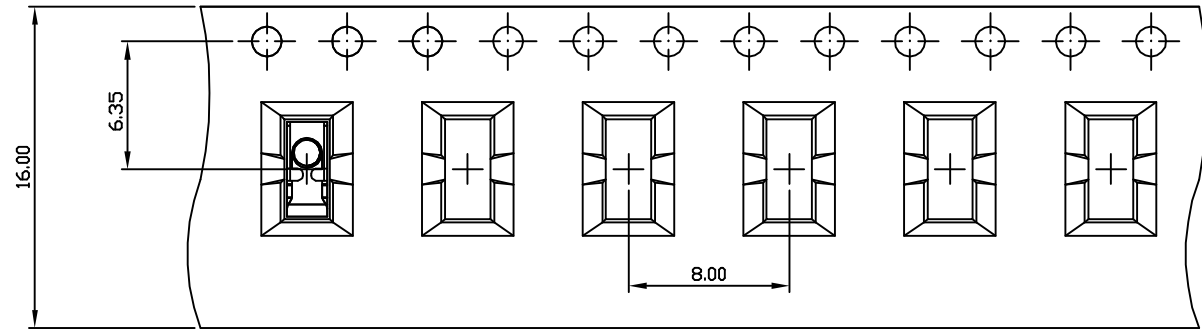
EMI STOP CORP.

EMI STOP

EMISTOP QQ-51K1Q1G	CUS P/N
-----------------------	---------

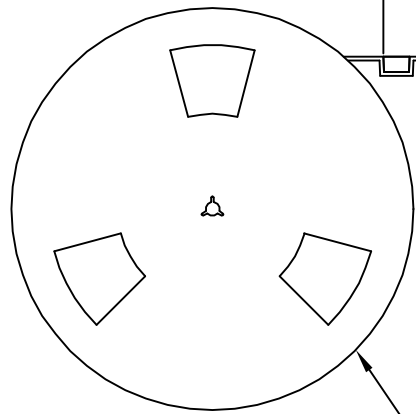
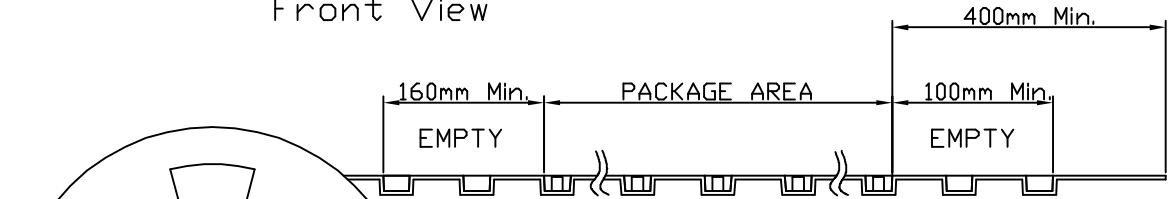


Side View



Front View

FEEDING DIRECTION



REEL(13")

Package Information:
 1.Quantity Per Reel: 1500PCS
 2.REEL: 13"X 16 mm

TOLERANCE/CLASS			
RANGE(mm)	1	2	3
≤30	±0.10	0.15	0.20
30<- ≤120	±0.15	0.20	0.30
120<- ≤300	±0.20	0.30	0.50
300<	±0.30	0.50	0.80
ANGLES	±2.5°		

00	10/09-'19	Design creation		
REV	Date	Description		
DRAFT	Kevin Chen	DATE	10/09-'19	RoHS Compatible
CHECKER	Justin Wu	DATE	10/09-'19	
APPROVAL	Jacky Lin	DATE	10/09-'19	SHEET 2-2
		SCALE	Not to scale	UNIT mm

EMI STOP CORP.

EMISTOP
 QQ-51K1Q1G

CUS P/N