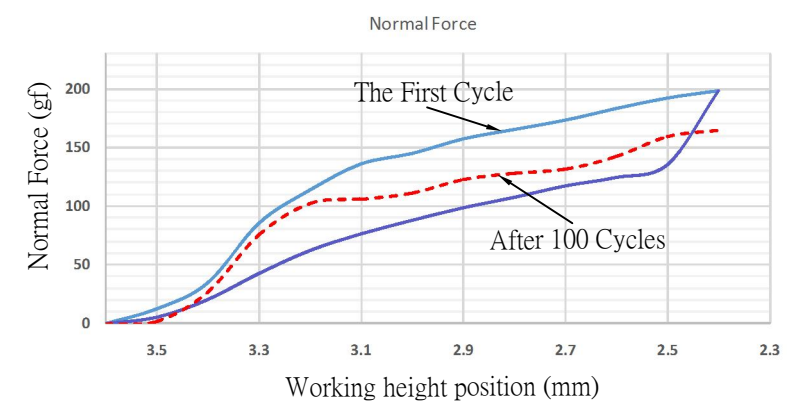
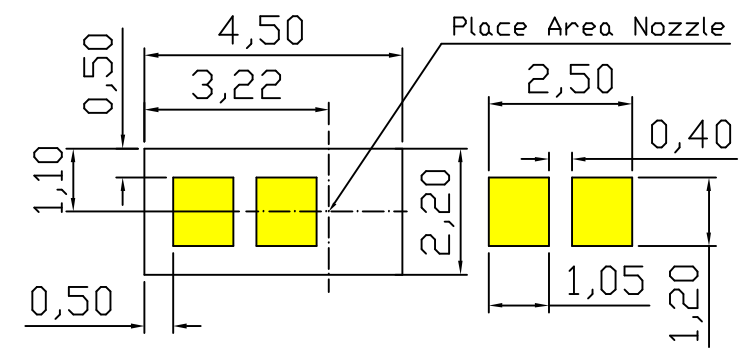
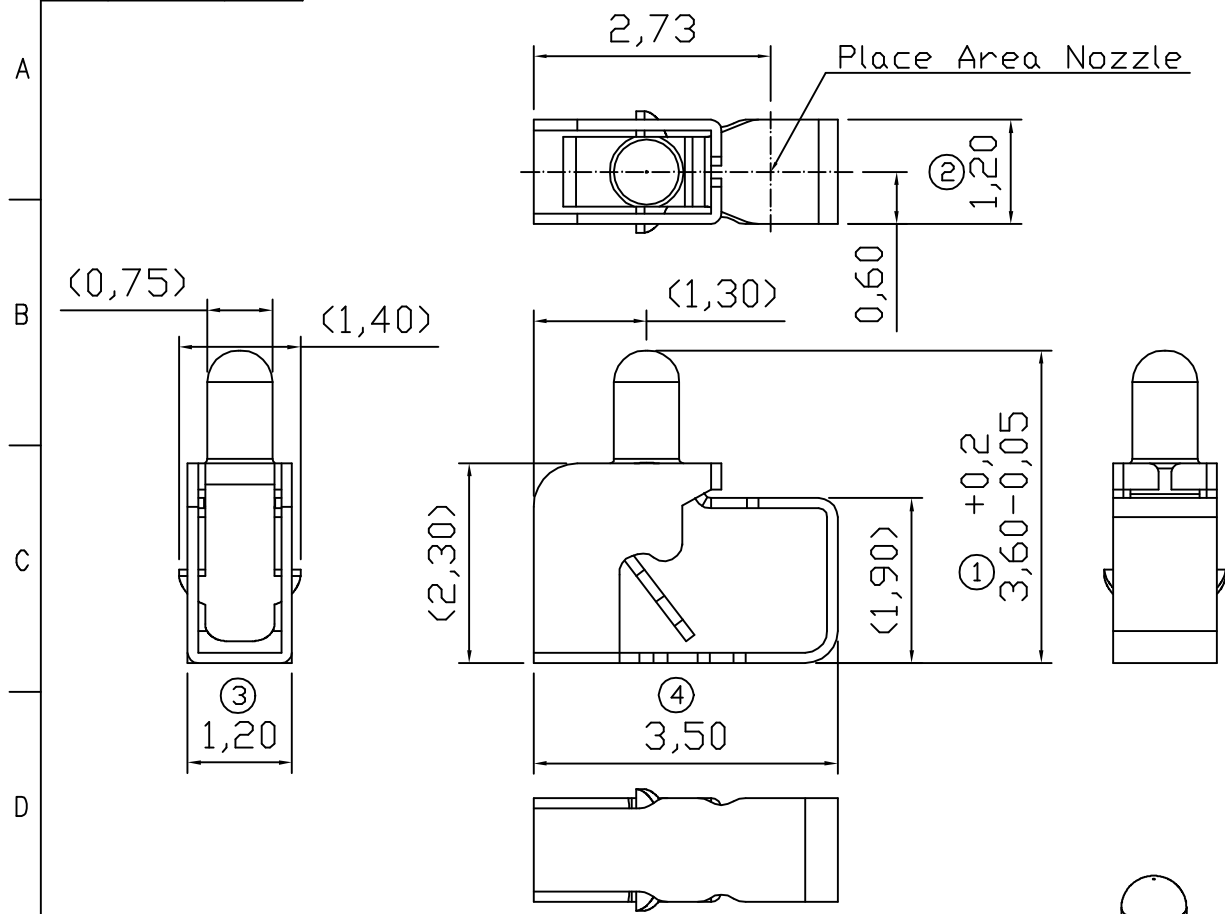
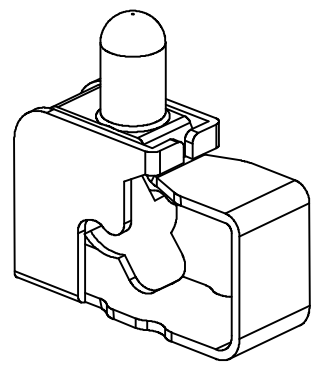


00 12/04-'14



- Note:
1. Material: Beryllium Copper Thickness 0.12mm
  2. Electroplate:
    - Gold Flash on contact area
    - Gold Flash on solder area
    - Nickel underplating over all
  3. Electrical Characteristics:
    - 3-1 Current Voltage: 12V
    - 3-2 Current Rate: 3A
    - 3-3 Contact Resistance: Normal Compression <math>\lt; 30\text{m}\Omega</math>
  4. Working Height of Application: 2.40~3.20 mm
  5. Spring Force Tolerance is  $\pm 20\text{gf}$
  6. Operating Temperature:  $-20^\circ\text{C} \sim +85^\circ\text{C}$



00	11/20-'14	Design creation						
REV	Date	Description						
DRAFT	Roy Li	DATE	11/20-'14	<b>RoHS Compatible</b>				
CHECKER	Justin Wu	DATE	11/20-'14					
APPROVAL	Jacky Lin	DATE	11/20-'14					
		SHEET	1-2	SCALE	Not to scale	UNIT	mm	

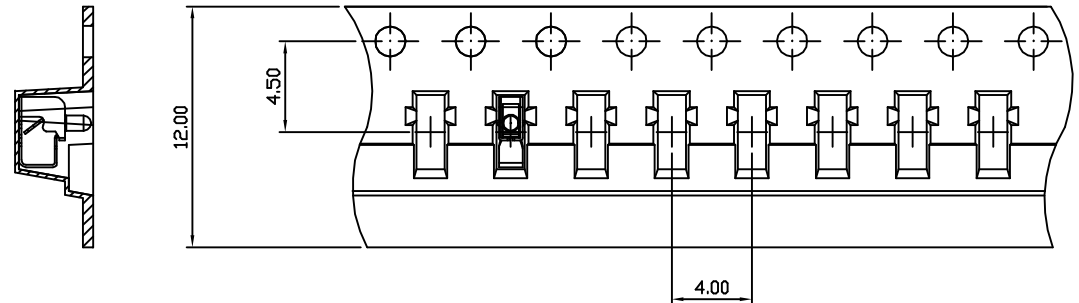
TOLERANCE/CLASS			
RANGE(mm)	1	2	3
≤30	±0.10	0.15	0.20
30<- ≤120	±0.15	0.20	0.30
120<- ≤300	±0.20	0.30	0.50
300<	±0.30	0.50	0.80
ANGLES	±2.5°		

**EMI STOP CORP.**

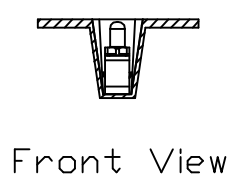
EMI STOP

EMISTOP  
QQ-36G

CUS P/N

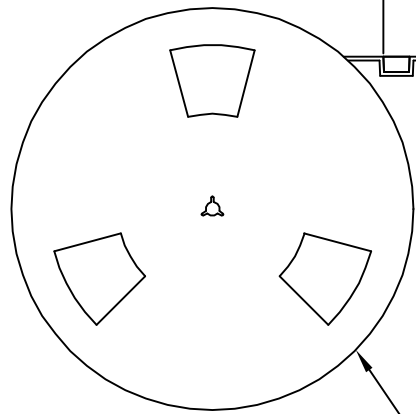
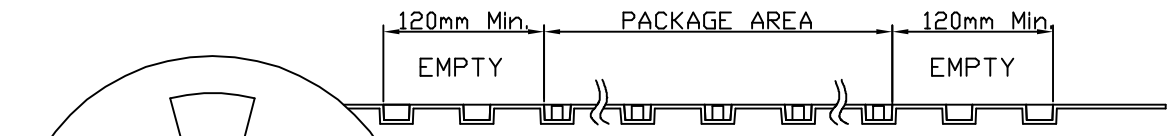


Side View



Front View

FEEDING DIRECTION




REEL(13")

Package Information:  
 1.Quantity Per Reel: 4500PCS  
 2.REEL: 13"X 12 mm

00	10/09-'19	Design creation		
REV	Date	Description		
DRAFT	Kevin Chen	DATE	10/09-'19	<b>RoHS Compatible</b>
CHECKER	Justin Wu	DATE	10/09-'19	
APPROVAL	Jacky Lin	DATE	10/09-'19	SHEET 2-2
		SCALE	Not to scale	UNIT mm

TOLERANCE/CLASS			
RANGE(mm)	1	2	3
≤30	±0.10	0.15	0.20
30<- ≤120	±0.15	0.20	0.30
120<- ≤300	±0.20	0.30	0.50
300<	±0.30	0.50	0.80
ANGLES	±2.5°		


**EMI STOP CORP.**  
 EMI STOP  
 EMISTOP  
 QQ-36G

CUS P/N