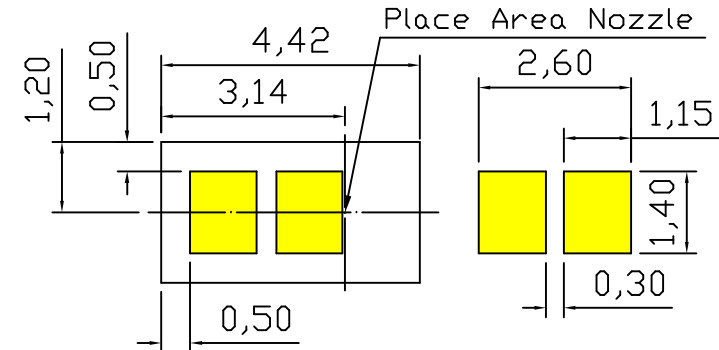
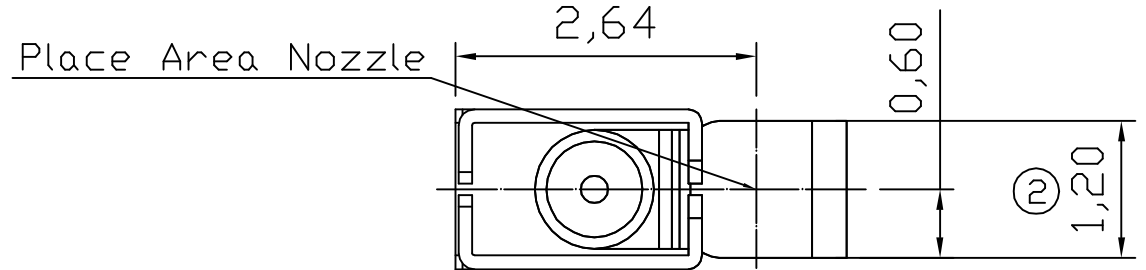
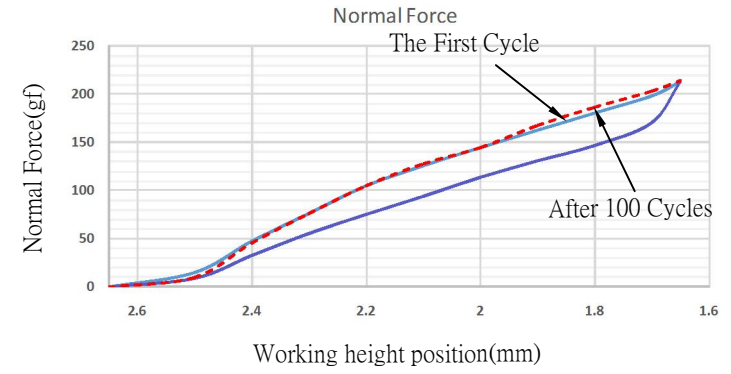
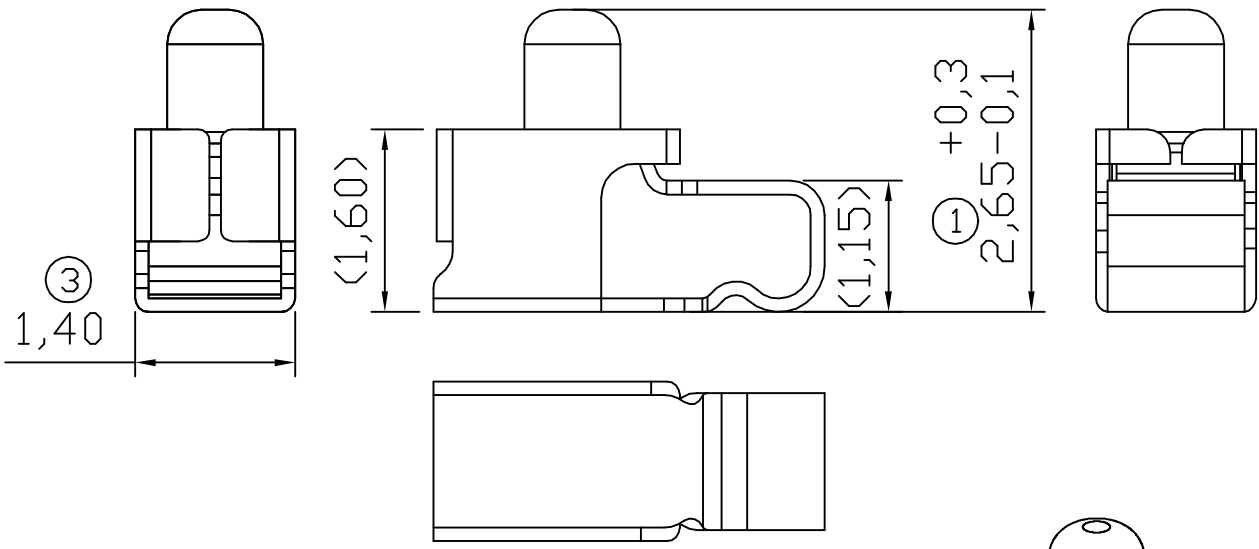


00 06/15-'14

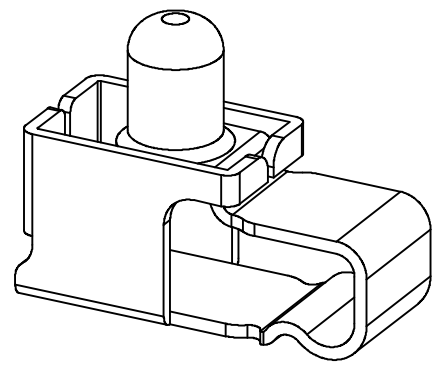


RECOMMENDED SOLDERING PCB LAYOUT

TOLERANCE(.XX±0.05)



- Note:
1. Material: Beryllium Copper Thickness 0.12mm
 2. Electroplate:
 - Au >1u' on contact area
 - Gold Flash on solder area
 - Nickel underplating over all
 3. Electrical Characteristics:
 - 3-1 Current Voltage: 12V
 - 3-2 Current Rate: 3A
 - 3-3 Contact Resistance: Normal Compression < 30mΩ
 4. Working Height of Application: 1.65~2.25 mm
 5. Spring Force Tolerance is ±20gf
 6. Operating Temperature: -20℃~+85℃



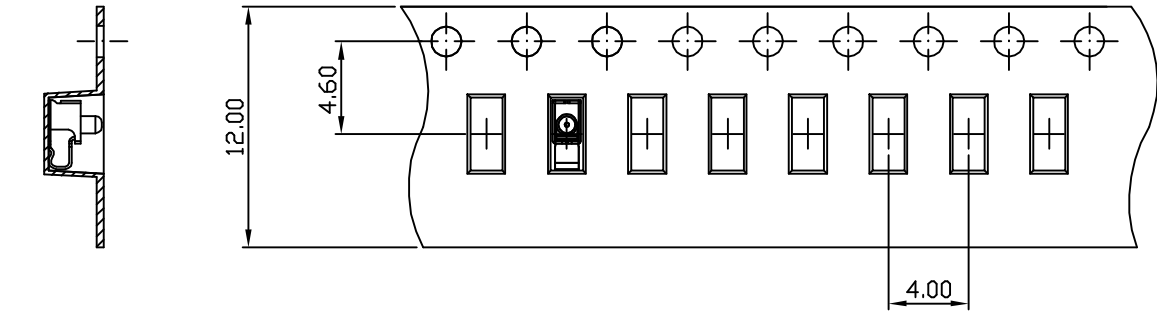
00	05/13-'14	Design creation						
REV	Date	Description						
DRAFT	Gabby Weng	DATE	05/13-'14	RoHS Compatible				
CHECKER	Jacky Lin	DATE	05/13-'14					
APPROVAL	Jacky Lin	DATE	05/13-'14					
		SHEET	1-2	SCALE	Not to scale	UNIT	mm	

TOLERANCE/CLASS			
RANGE(mm)	1	2	3
≤30	±0.10	0.15	0.20
30<~120	±0.15	0.20	0.30
120<~300	±0.20	0.30	0.50
300<	±0.30	0.50	0.80
ANGLES	±2.5°		

EMI STOP CORP.

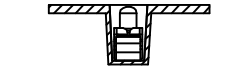
EMI STOP

EMISTOP QQ-26G	CUS P/N
-------------------	---------

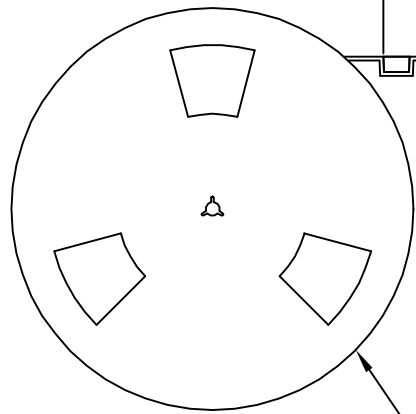
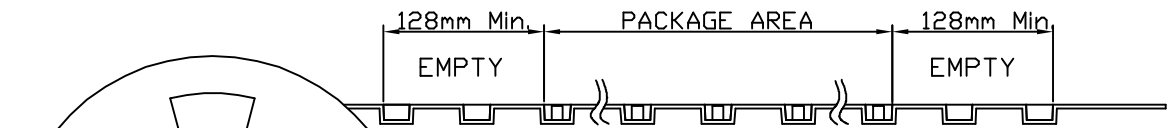


Side View

FEEDING DIRECTION



Front View



REEL(13")

Package Information:
 1.Quantity Per Reel: 5600PCS
 2.REEL: 13"X 12 mm

00	10/09-'19	Design creation			
REV	Date	Description			
DRAFT	Kevin Chen	DATE	10/09-'19	RoHS Compatible	
CHECKER	Justin Wu	DATE	10/09-'19		
APPROVAL	Jacky Lin	DATE	10/09-'19		
		SHEET	2-2	SCALE	Not to scale
		UNIT	mm		

TOLERANCE/CLASS			
RANGE(mm)	1	2	3
≤30	±0.10	0.15	0.20
30<- ≤120	±0.15	0.20	0.30
120<- ≤300	±0.20	0.30	0.50
300<	±0.30	0.50	0.80
ANGLES	±2.5°		

EMI STOP CORP.
 EMI STOP
 EMISTOP
 QQ-26G

CUS P/N