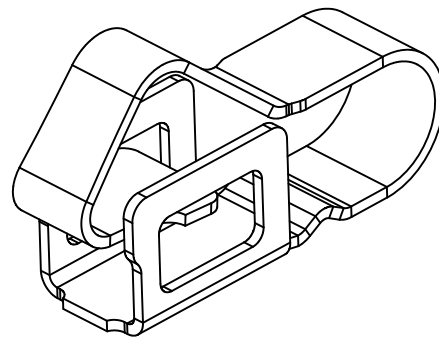
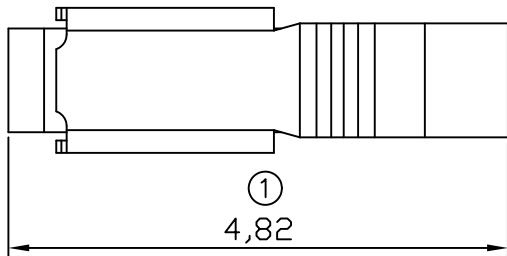
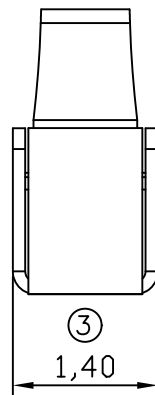
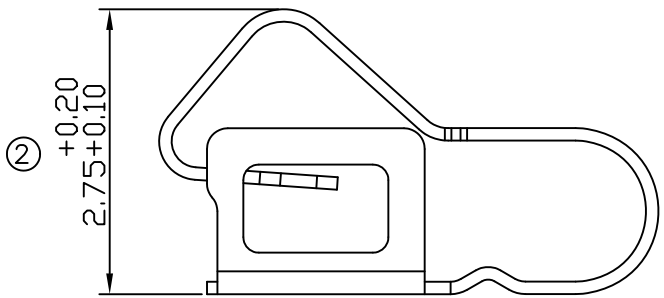
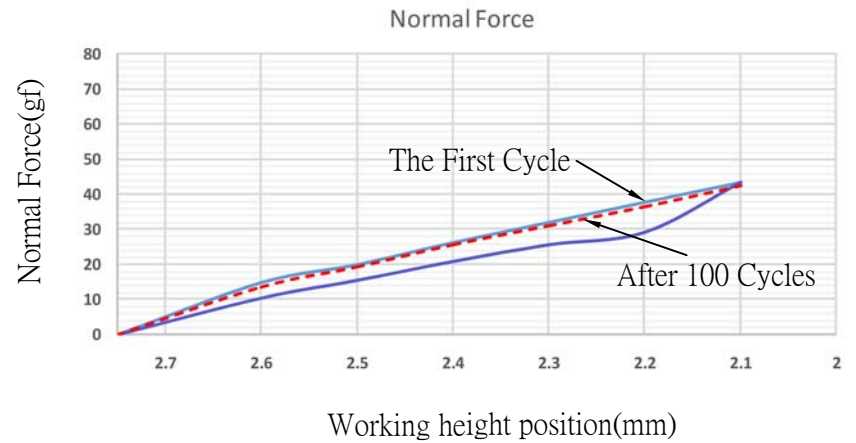


RECOMMENDED SOLDERING PCB LAYOUT

TOLERANCE(.XX±0.05)



Note:

1. Material: Titanium Copper Thickness 0.12mm
2. Electroplate:
 Gold Flash on contact area
 Gold Flash on solder area
 Nickel underplating over all
3. Electrical Characteristics:
 3-1 Current Voltage: 12V
 3-2 Current Rate: 3A
 3-3 Contact Resistance: Normal Compression <math>< 30\text{m}\Omega</math>
4. Working Height of Application: 2.10 ~ 2.40mm
5. Spring Force Tolerance is $\pm 20\text{gf}$
6. Operating Temperature: $-20^\circ\text{C} \sim +85^\circ\text{C}$

00	02/14-'19	Design creation			
REV	Date	Description			
DRAFT	Owen Chiang	DATE	02/14-'19	RoHS Compatible	
CHECKER	Justin Wu	DATE	02/14-'19		
APPROVAL	Jacky Lin	DATE	02/14-'19		
		SHEET	1-2	SCALE	Not to scale
		UNIT	mm		

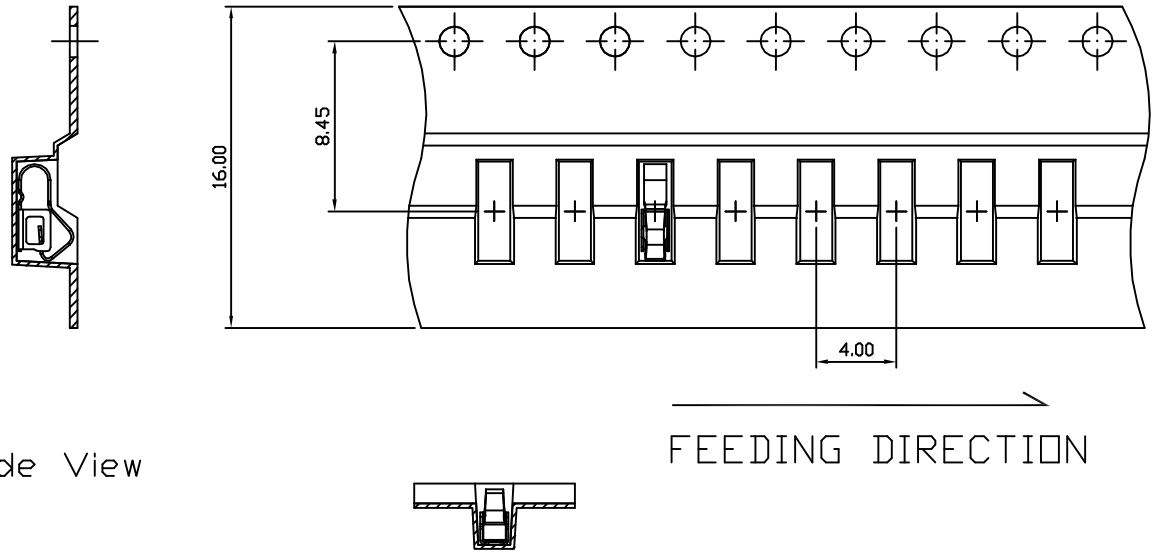
TOLERANCE/CLASS			
RANGE(mm)	1	2	3
≤ 30	± 0.10	0.15	0.20
30 < - ≤ 120	± 0.15	0.20	0.30
120 < - ≤ 300	± 0.20	0.30	0.50
300 <	0.30	0.50	0.80
ANGLES	$\pm 2.5^\circ$		



EMI STOP CORP.

EMISTOP
QM-27G

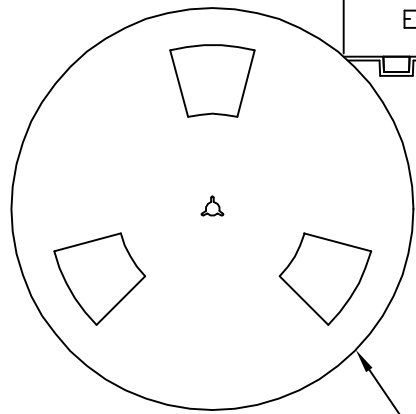
CUS P/N



Side View

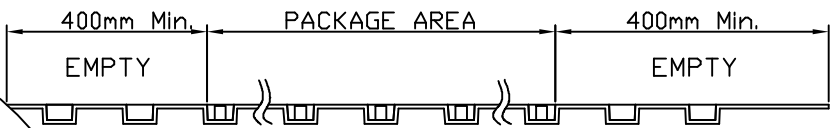
Front View

FEEDING DIRECTION




REEL(13")

Package Information:
 1.Quantity Per Reel: 5000PCS
 2.REEL: 13"X 16 mm



00	10/07-'19	Design creation			
REV	Date	Description			
DRAFT	Kevin Chen	DATE	10/07-'19	RoHS Compatible	
CHECKER	Justin Wu	DATE	10/07-'19		
APPROVAL	Jacky Lin	DATE	10/07-'19	SHEET	2-2
		SCALE	Not to scale	UNIT	mm

TOLERANCE/CLASS			
RANGE(mm)	1	2	3
≤30	±0.10	0.15	0.20
30<- ≤120	±0.15	0.20	0.30
120<- ≤300	±0.20	0.30	0.50
300<	±0.30	0.50	0.80
ANGLES	±2.5°		


EMI STOP CORP.
 EMI STOP
 EMISTOP QM-27G

CUS P/N