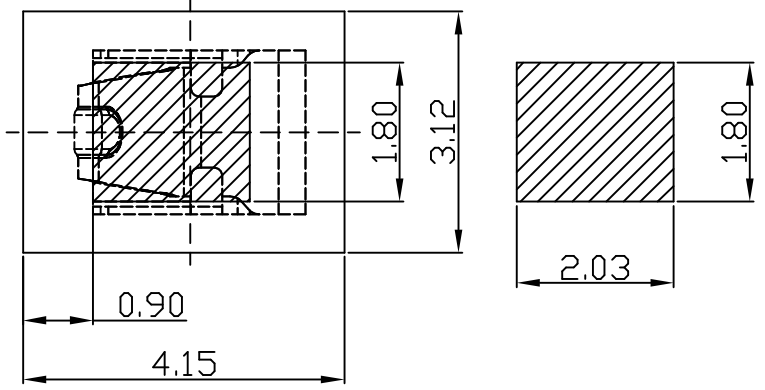
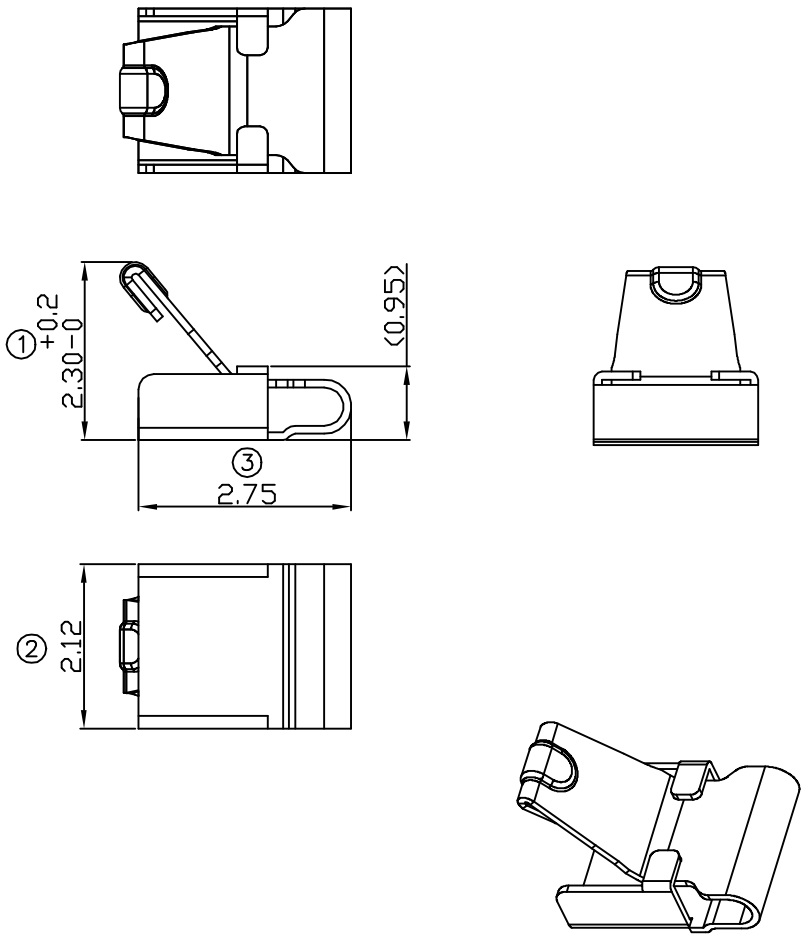
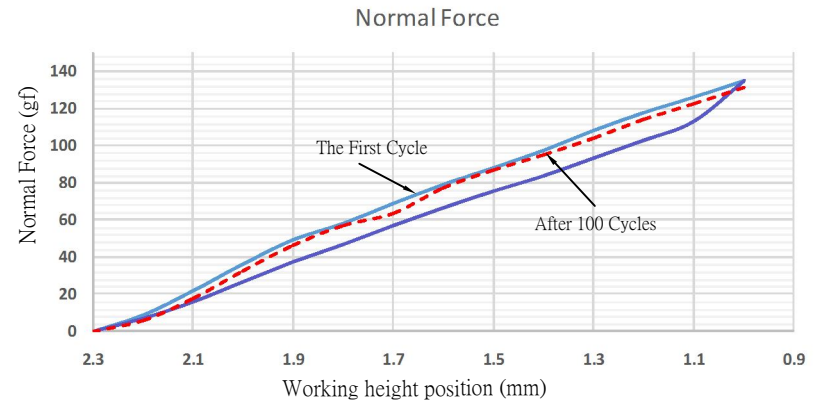


A
B
C
D
E
F



RECOMMENDED SOLDERING PCB LAYOUT
TOLERANCE (.XX±0.05) (TOP VIEW)

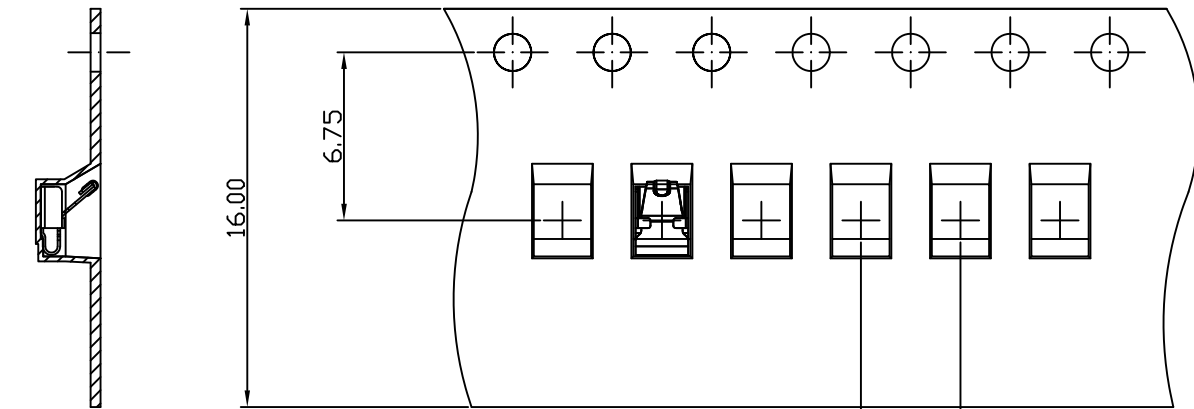


Note:
 1. Material: Copper alloy Thickness 0.10mm
 2. Electroplate:
 Gold Flash on contact area
 Gold Flash solder area
 Nickel underplating over all
 3. Electrical Characteristics:
 3-1 Current Voltage: 12V
 3-2 Current Rate: 3A
 3-3 Contact Resistance: Normal Compression <math>< 30\text{m}\Omega</math>
 4. Working Height of Application: 1.00 ~ 1.80mm
 5. Spring Force Tolerance is $\pm 20\text{gf}$
 6. Operating Temperature: $-20^\circ\text{C} \sim +85^\circ\text{C}$

00	03/20-'15	Design creation								
REV	Date	Description								
DRAFT	Hardy Hsieh	DATE	03/20-'15	RoHS Compatible						
CHECKER	Justin Wu	DATE	03/20-'15							
APPROVAL	Jacky Lin	DATE	03/20-'15			SHEET	1-2	SCALE	Not to scale	UNIT

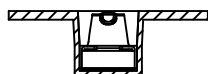
TOLERANCE/CLASS			
RANGE(mm)	1	2	3
≤ 30	± 0.10	0.15	0.20
30 < ≤ 120	± 0.15	0.20	0.30
120 < ≤ 300	± 0.20	0.30	0.50
300 <	± 0.30	0.50	0.80
ANGLES	$\pm 2.5^\circ$		

EMI STOP CORP.
 EMI STOP
 EMISTOP QM-23A3Q1G CUS P/N

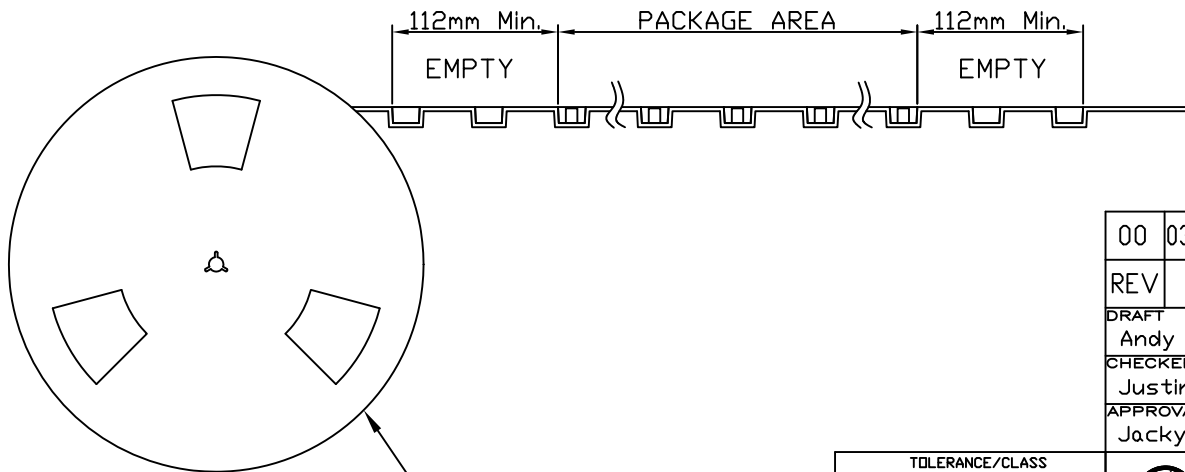


Side View

FEEDING DIRECTION



Front View



Package Information:
 1.Quantity Per Reel: 6400PCS
 2.REEL: 13"X 16 mm

00	03/04-'20	Design creation		
REV	Date	Description		
DRAFT	DATE	RoHS Compatible		
Andy □	03/04-'20			
CHECKER	DATE			
Justin Wu	03/04-'20			
APPROVAL	DATE	SHEET	SCALE	UNIT
Jacky Lin	03/04-'20	2-2	Not to scale	mm

TOLERANCE/CLASS			
RANGE(mm)	1	2	3
≤30	±0.10	0.15	0.20
30<- ≤120	±0.15	0.20	0.30
120<- ≤300	±0.20	0.30	0.50
300<	±0.30	0.50	0.80
ANGLES	±2.5°		



EMI STOP

EMI STOP CORP.

EMISTOP
QM-23A3Q1G

CUS P/N