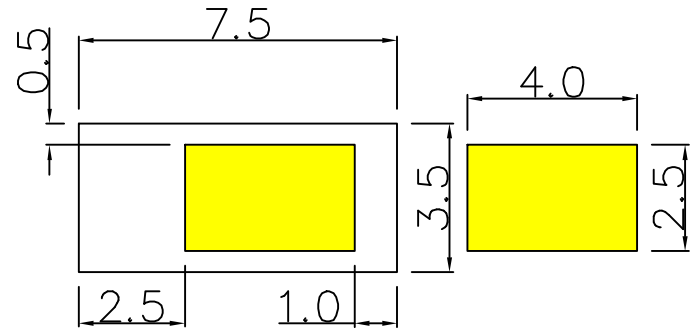
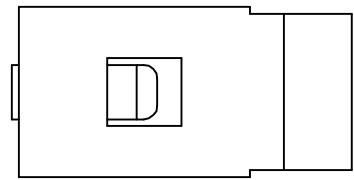
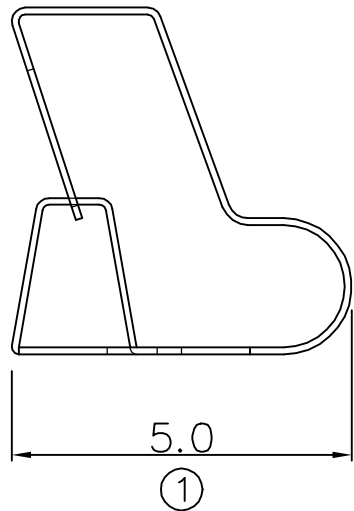
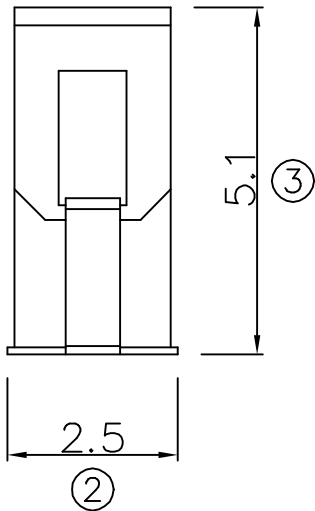
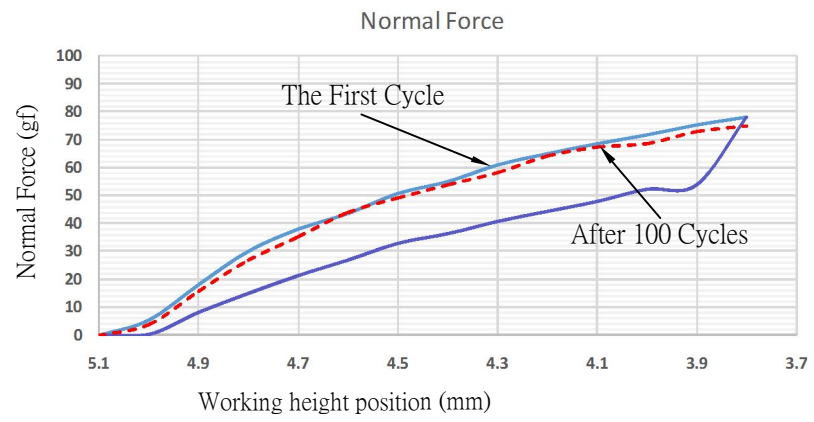


0012/26-'17



RECOMMENDED SOLDERING PCB LAYOUT


TOLERANCE (.XX±0.05)

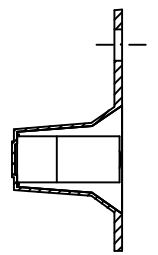


- Note:
1. Material: Copper Alloy Thickness 0.10mm
 2. Electroplate:
 - Gold Flash on contact area
 - Gold Flash on solder area
 - Nickel underplating over all
 3. Electrical Characteristics:
 - 3-1 Current Voltage: 12V
 - 3-2 Current Rate: 3A
 - 3-3 Contact Resistance: Normal Compression <math>< 30\text{m}\Omega</math>
 4. Working Height of Application: 3.80 ~ 4.70mm
 5. Spring Force Tolerance is $\pm 20\text{gf}$
 6. Operating Temperature: $-20^\circ\text{C} \sim +85^\circ\text{C}$

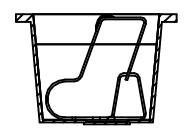
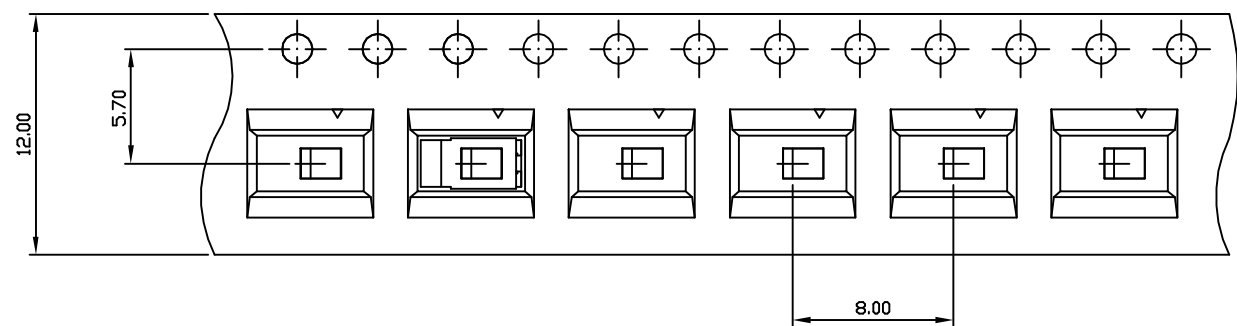
00	12/26-'17	Design creation			
REV	Date	Description			
DRAFT	Hardy Hsieh	DATE	12/26-'17	RoHS Compatible	
CHECKER	Justin Wu	DATE	12/26-'17		
APPROVAL	Jacky Lin	DATE	12/26-'17		
		SCALE	Not to scale	UNIT	mm

TOLERANCE/CLASS			
RANGE(mm)	1	2	3
≤30	±0.10	0.15	0.20
30< ≤120	±0.15	0.20	0.30
120< ≤300	±0.20	0.30	0.50
300<	±0.30	0.50	0.80
ANGLES	±2.5°		


EMI STOP CORP.
 EMI STOP
 EMISTOP SQ-51Q2G
 CUS P/N

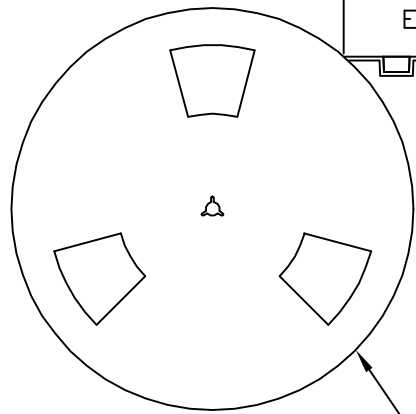
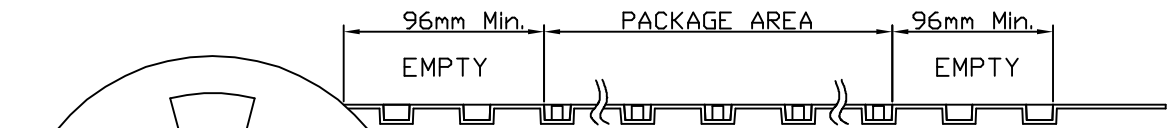


Side View



Front View

FEEDING DIRECTION



REEL(13")

Package Information:
 1.Quantity Per Reel: 1500PCS
 2.REEL: 13"X 12 mm

TOLERANCE/CLASS			
RANGE(mm)	1	2	3
≤30	±0.10	0.15	0.20
30<- ≤120	±0.15	0.20	0.30
120<- ≤300	±0.20	0.30	0.50
300<	±0.30	0.50	0.80
ANGLES	±2.5°		

00	11/04-'19	Design creation		
REV	Date	Description		
DRAFT	Kevin Chen	DATE	11/04-'19	RoHS Compatible
CHECKER	Justin Wu	DATE	11/04-'19	
APPROVAL	Jacky Lin	DATE	11/04-'19	SHEET 2-2
		SCALE	Not to scale	UNIT mm

EMI STOP CORP.

EMISTOP SQ-51Q2G CUS P/N