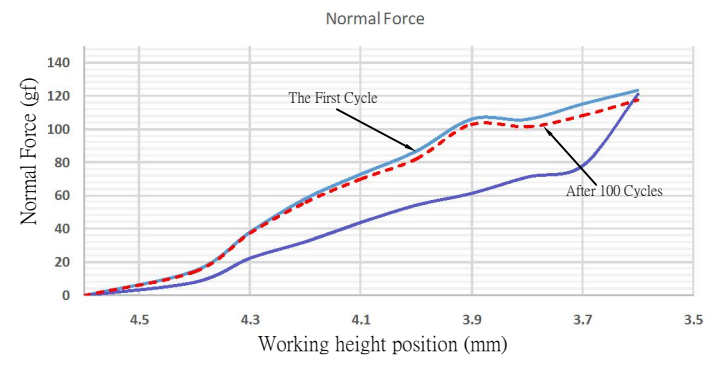
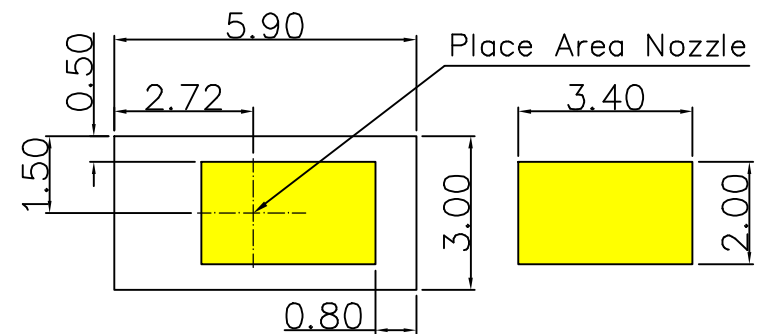
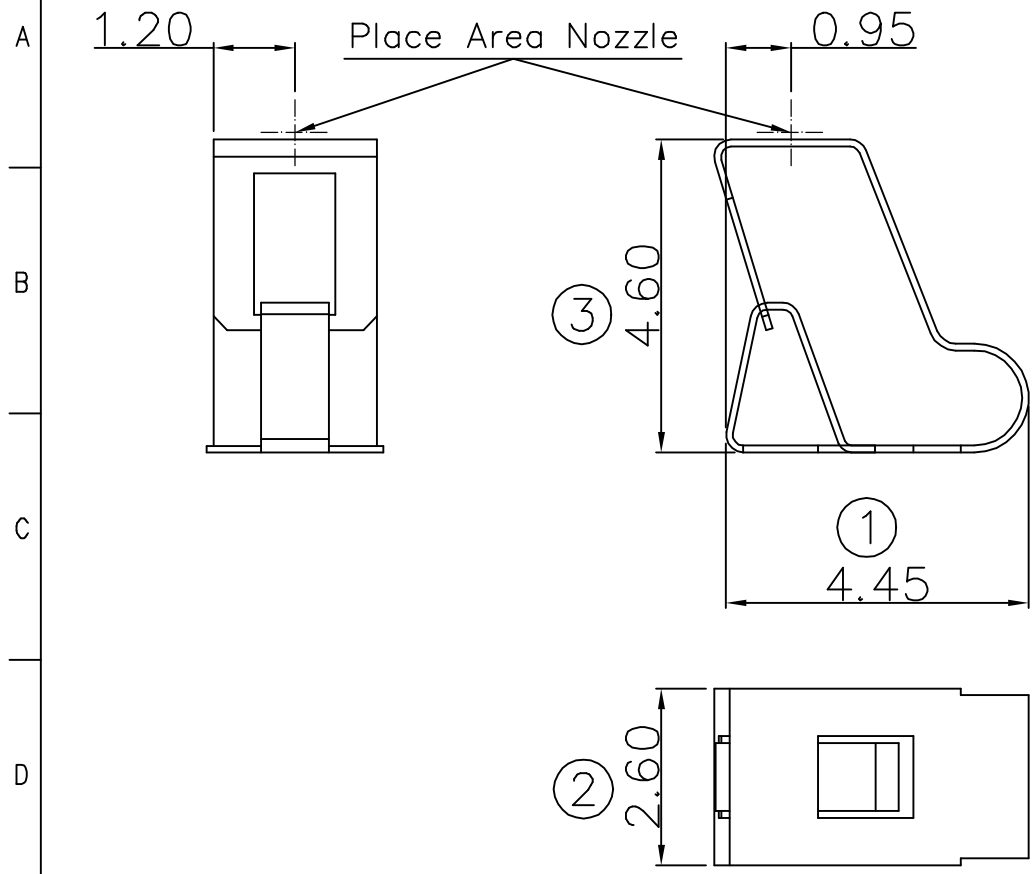


0012/26-'17



- Note:
- Material: Copper Alloy Thickness 0.10mm
 - Electroplate:
 - Gold Flash on contact area
 - Gold Flash on solder area
 - Nickel underplating over all
 - Electrical Characteristics:
 - 3-1 Current Voltage: 12V
 - 3-2 Current Rate: 3A
 - 3-3 Contact Resistance: Normal Compression <math>< 30\text{m}\Omega</math>
 - Working Height of Application: 3.60 ~ 4.10mm
 - Spring Force Tolerance is $\pm 20\text{gf}$
 - Operating Temperature: $-20^\circ\text{C} \sim +85^\circ\text{C}$

| | | | | | |
|----------|-------------|-----------------|-----------|----------------------------------|--------------|
| 00 | 12/26-'17 | Design creation | | | |
| REV | Date | Description | | | |
| DRAFT | Hardy Hsieh | DATE | 12/26-'17 | RoHS Compatible | |
| CHECKER | Justin Wu | DATE | 12/26-'17 | | |
| APPROVAL | Jacky Lin | DATE | 12/26-'17 | | |
| | | SHEET | 1-2 | SCALE | Not to scale |
| | | UNIT | mm | | |

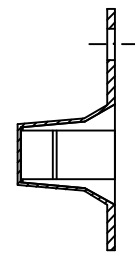
| TOLERANCE/CLASS | | | |
|-----------------|-------|------|------|
| RANGE(mm) | 1 | 2 | 3 |
| ≤30 | ±0.10 | 0.15 | 0.20 |
| 30< ≤120 | ±0.15 | 0.20 | 0.30 |
| 120< ≤300 | ±0.20 | 0.30 | 0.50 |
| 300< | ±0.30 | 0.50 | 0.80 |
| ANGLES | ±2.5° | | |

EMI STOP CORP.

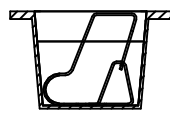
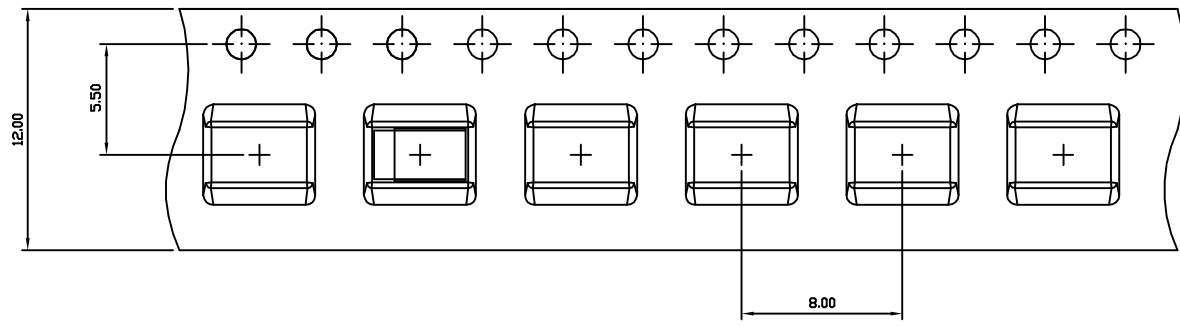
EMI STOP

EMISTOP SQ-46Q2G

CUS P/N

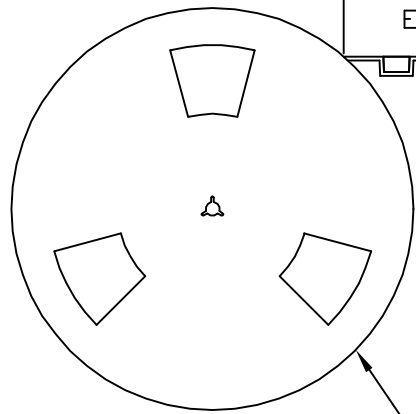
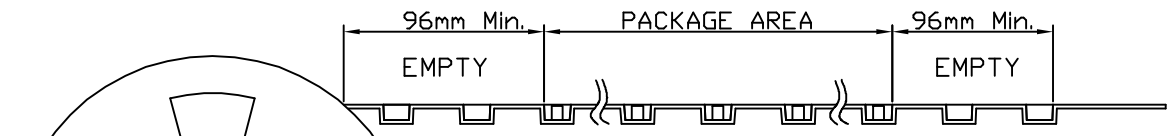


Side View



Front View

FEEDING DIRECTION



REEL(13")

Package Information:
 1.Quantity Per Reel: 1500PCS
 2.REEL: 13"X 12 mm

| TOLERANCE/CLASS | | | |
|-----------------|-------|------|------|
| RANGE(mm) | 1 | 2 | 3 |
| ≤30 | ±0.10 | 0.15 | 0.20 |
| 30<- ≤120 | ±0.15 | 0.20 | 0.30 |
| 120<- ≤300 | ±0.20 | 0.30 | 0.50 |
| 300< | ±0.30 | 0.50 | 0.80 |
| ANGLES | ±2.5° | | |

| | | | | | | | |
|----------|------------|-----------------|-----------|----------------------------|------|---|---|
| 00 | 11/04-'19 | Design creation | | | | | |
| REV | Date | Description | | | | | |
| DRAFT | Kevin Chen | DATE | 11/04-'19 | RoHS Compatible | | | |
| CHECKER | Justin Wu | DATE | 11/04-'19 | | | | |
| APPROVAL | Jacky Lin | DATE | 11/04-'19 | | | | |
| | | SHEET | 2-2 | SCALE | UNIT | ⊕ | ⊞ |
| | | Not to scale | | mm | | | |

EMI STOP CORP.

EMISTOP SQ-46Q2G CUS P/N