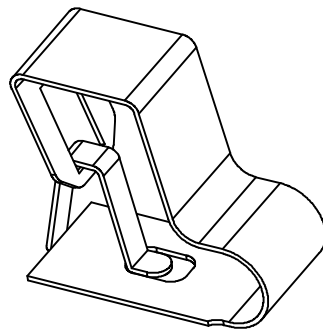
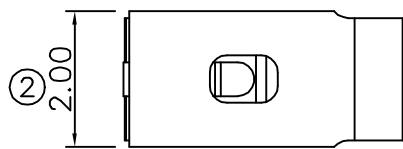
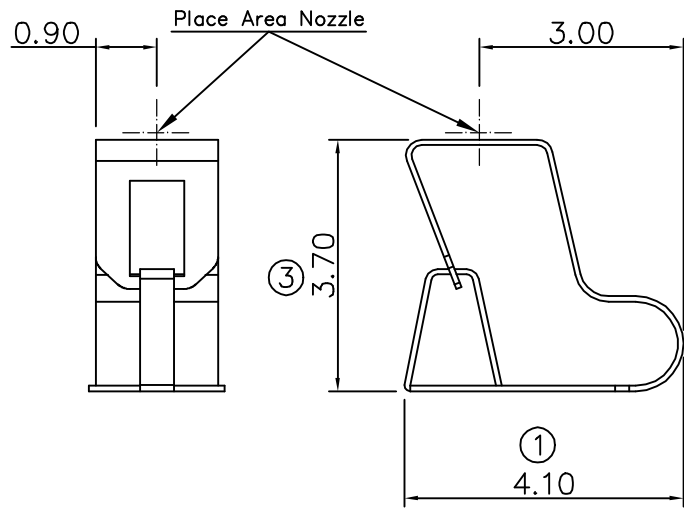
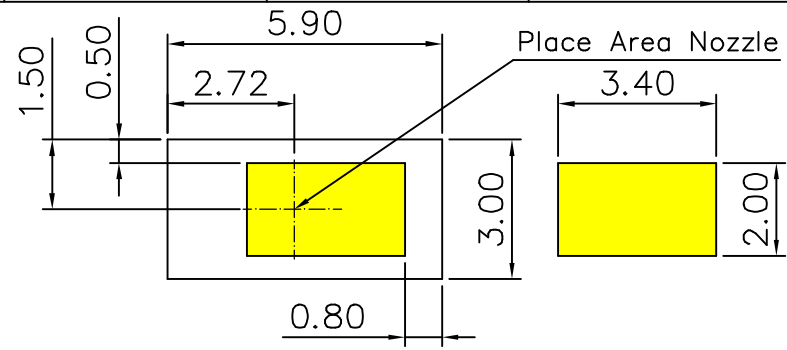


0010/02-'12

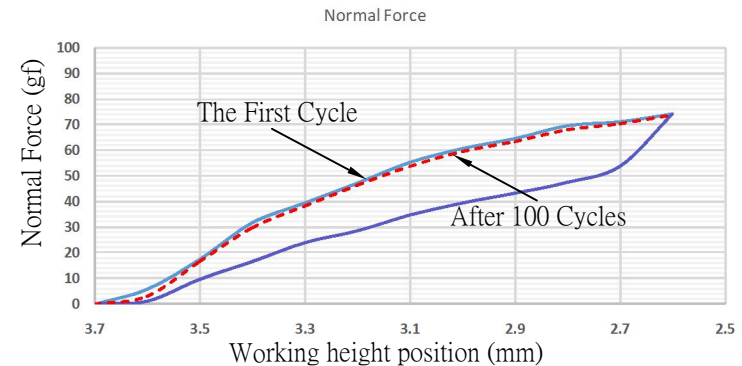


- Note:
1. Material: Copper Alloy Thickness 0.08mm
 2. Electroplate:
Gold Flash on contact area
Gold Flash on solder area
Nickel underplating over all
 3. Electrical Characteristics:
3-1 Current Voltage: 12V
3-2 Current Rate: 3A
3-3 Contact Resistance: Normal Compression <math>< 30m\Omega</math>
 4. Working Height of Application: 2.60 ~ 3.20mm
 5. Spring Force Tolerance is $\pm 20gf$
 6. Operating Temperature: $-20^{\circ}C \sim +85^{\circ}C$



RECOMMENDED SOLDERING PCB LAYOUT

TOLERANCE(.XX \pm 0.05)



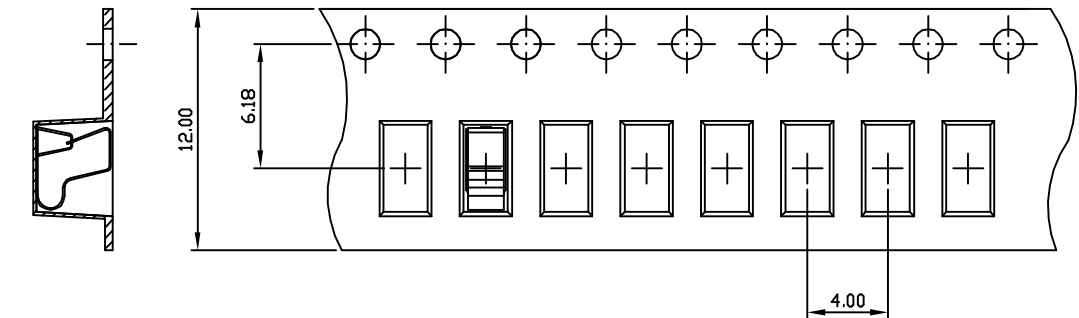
TOLERANCE/CLASS			
RANGE(mm)	1	2	3
≤ 30	± 0.10	0.15	0.20
$30 < \leq 120$	± 0.15	0.20	0.30
$120 < \leq 300$	± 0.20	0.30	0.50
$300 <$	± 0.30	0.50	0.80
ANGLES	$\pm 2.5^{\circ}$		

00	10/02-'12	Design creation			
REV	Date	Description			
DRAFT	Danny Liao	DATE	10/02-'12	RoHS Compatible	
CHECKER	Gabby Weng	DATE	10/02-'12		
APPROVAL	jacky Lin	DATE	10/02-'12	SHEET	1-2
		SCALE	Not to scale	UNIT	mm

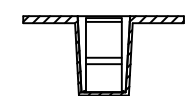
EMI STOP CORP.
EMI STOP

EMISTOP SQ-37Q1G

CUS P/N

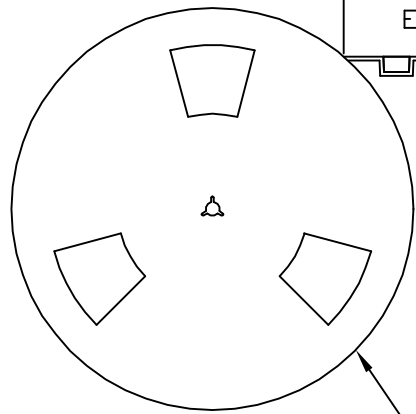
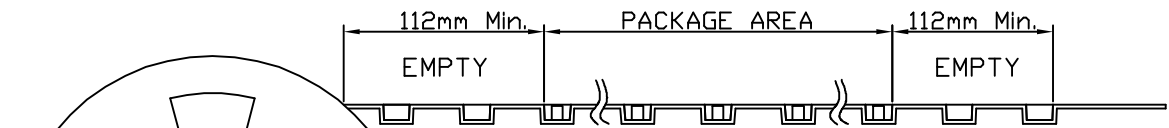


Side View



Front View

FEEDING DIRECTION



REEL(13")

Package Information:
 1.Quantity Per Reel: 4000PCS
 2.REEL: 13"X 12 mm

00	11/04-19'	Design creation		
REV	Date	Description		
DRAFT	Kevin Chen	DATE	11/04-19'	RoHS Compatible
CHECKER	Justin Wu	DATE	11/04-19'	
APPROVAL	Jacky Lin	DATE	11/04-19'	SHEET 2-2
		SCALE	Not to scale	UNIT mm

TOLERANCE/CLASS			
RANGE(mm)	1	2	3
≤30	±0.10	0.15	0.20
30<- ≤120	±0.15	0.20	0.30
120<- ≤300	±0.20	0.30	0.50
300<	±0.30	0.50	0.80
ANGLES	±2.5°		

 **EMI STOP CORP.**

EMISTOP SQ-37Q1G CUS P/N