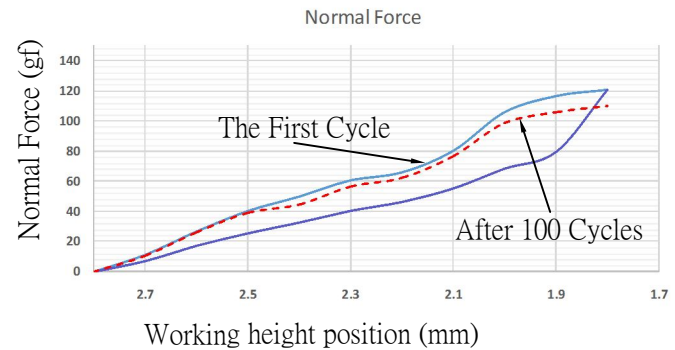
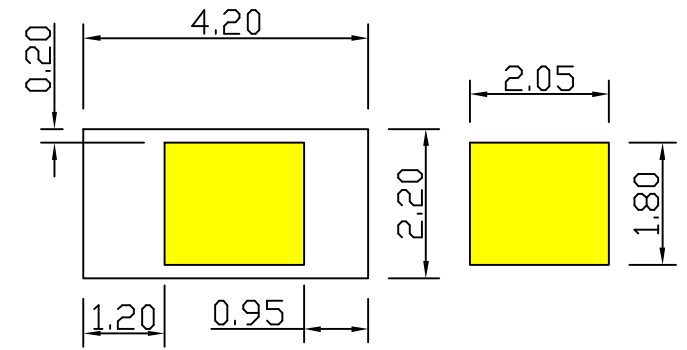
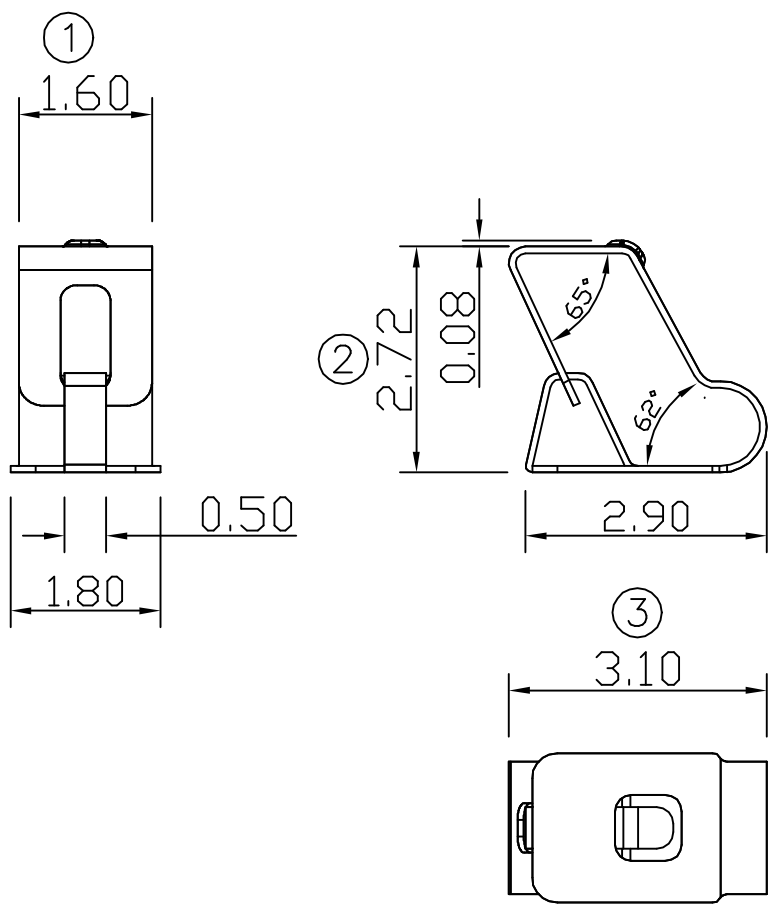
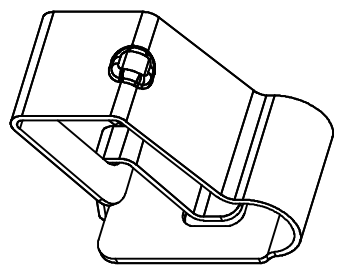


02 08/20-'13



Note:

1. Material: Beryllium Copper Thickness 0.08mm
2. Electroplate:
 - Gold Flash on contact area
 - Gold Flash on solder area
 - Nickel underplating over all
3. Electrical Characteristics:
 - 3-1 Current Voltage: 12V
 - 3-2 Current Rate: 3A
 - 3-3 Contact Resistance: Normal Compression <math>< 30\text{m}\Omega</math>
4. Working Height of Application: 1.8 ~ 2.5mm
5. Spring Force Tolerance is $\pm 20\text{gf}$
6. Operating Temperature: $-20^\circ\text{C} \sim +85^\circ\text{C}$



00	09/15-'08	Design creation						
REV	Date	Description						
DRAFT	Sunyo Gi	DATE	09/15-'08	RoHS Compatible				
CHECKER	Benedict Liang	DATE	09/15-'08					
APPROVAL	Jacky Lin	DATE	09/15-'08					
		SHEET	1-2	SCALE	Not to scale	UNIT	mm	

TOLERANCE/CLASS			
RANGE(mm)	1	2	3
≤30	±0.10	0.15	0.20
30<- ≤120	±0.15	0.20	0.30
120<- ≤300	±0.20	0.30	0.50
300<	±0.30	0.50	0.80
ANGLES	±2.5°		

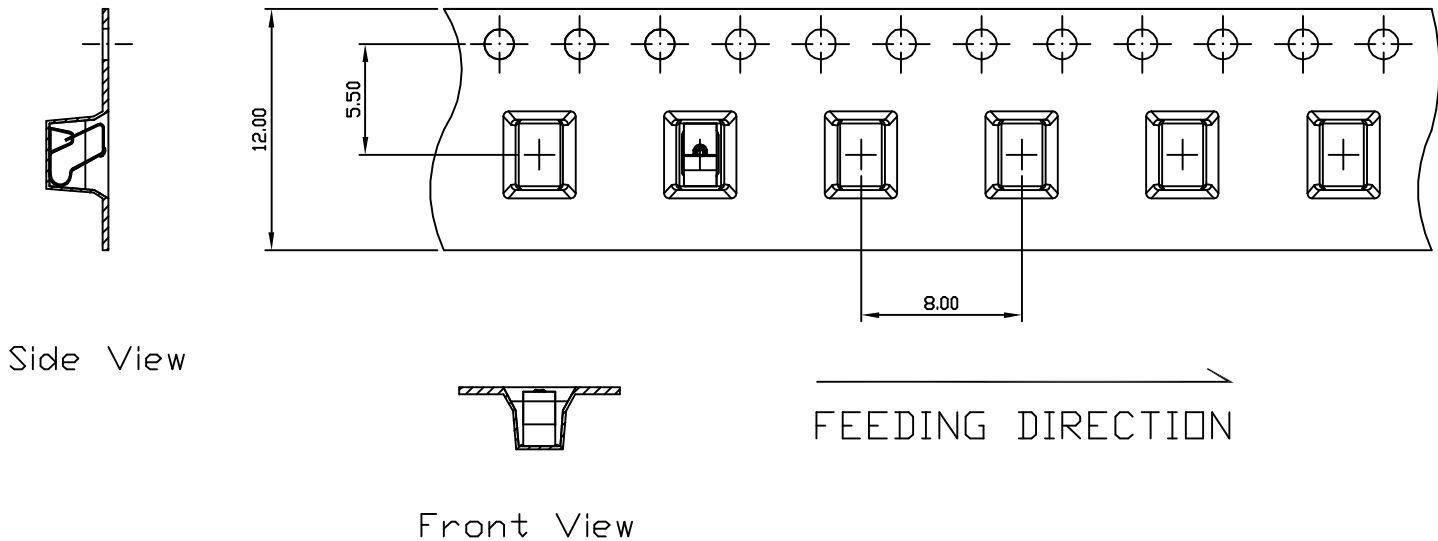
EMI STOP CORP.

EMI STOP

EMISTOP SQ-28G

CUS P/N

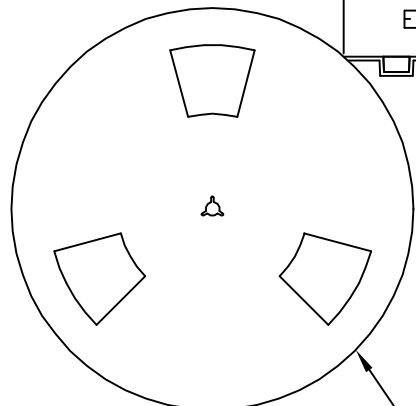
00 10/30-19'



Side View

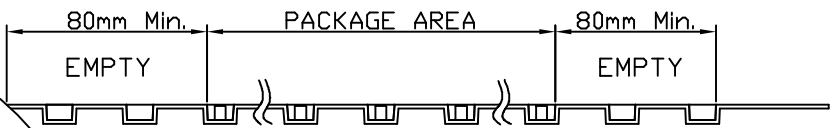
Front View

FEEDING DIRECTION



REEL(13")

Package Information:
 1.Quantity Per Reel: 2500PCS
 2.REEL: 13"X 12 mm



00	10/30-19'	Design creation			
REV	Date	Description			
DRAFT	Kevin Chen	DATE	10/30-19'	RoHS Compatible	
CHECKER	Justin Wu	DATE	10/30-19'		
APPROVAL	Jacky Lin	DATE	10/30-19'		
		SHEET	2-2	SCALE	Not to scale
		UNIT	mm		

TOLERANCE/CLASS			
RANGE(mm)	1	2	3
≤30	±0.10	0.15	0.20
30<- ≤120	±0.15	0.20	0.30
120<- ≤300	±0.20	0.30	0.50
300<	±0.30	0.50	0.80
ANGLES	±2.5°		

EMI STOP CORP.

EMI STOP

EMISTOP SQ-28G	CUS P/N
----------------	---------