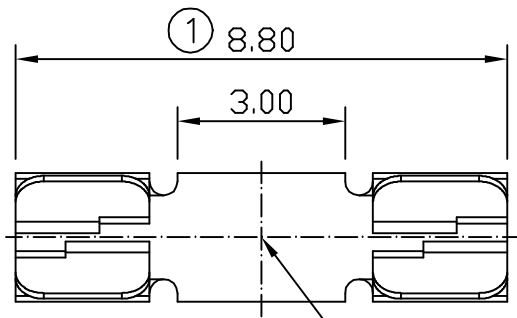
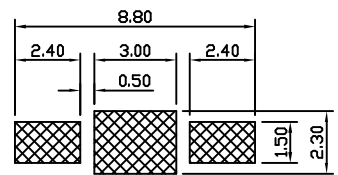
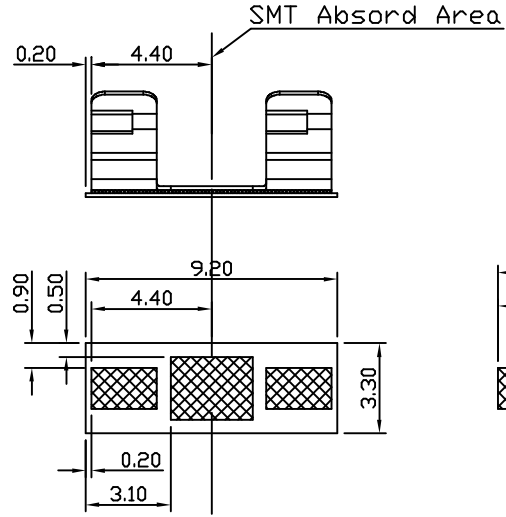


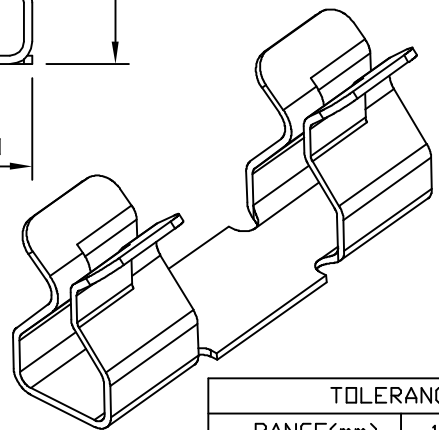
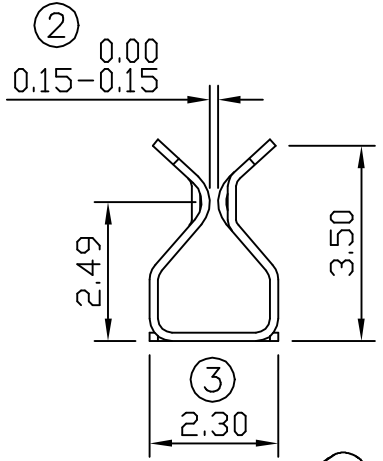
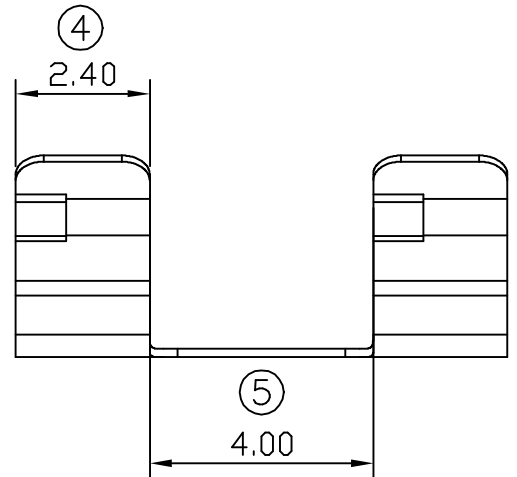
A  
B  
C  
D  
E  
F



Place Area Nozzle



RECOMMENDED SOLDERING PCB LAYOUT  
TOLERANCE(.XX±0.05)



- Note:
1. Material: Stainless steel Thickness 0.15mm
  2. Electroplate:  
Matte Sn over all  
Nickel underplating over all
  3. Operating Temperature: -20℃~+85℃
  4. Recommended conditions shielding cover 0.30~0.50mm

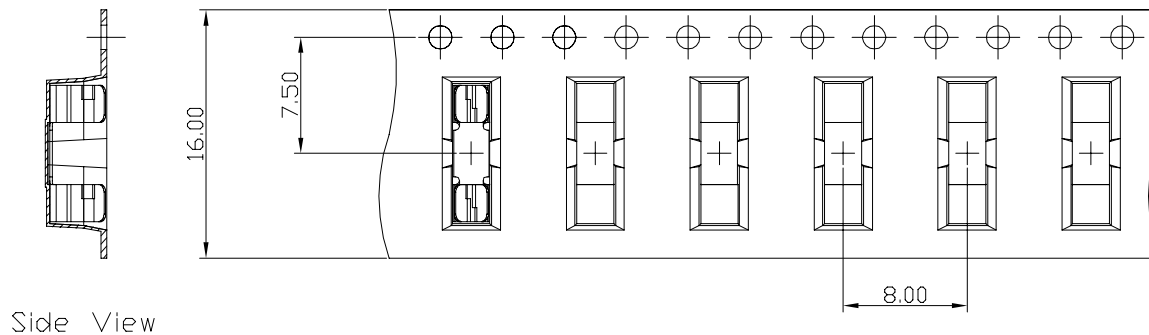
00	01/26-'11	Design creation			
REV	Date	Description			
DRAFT	Timmy Lai	DATE	01/26-'11	<b>RoHS Compatible</b>	
CHECKER	Benedick Liang	DATE	01/26-'11		
APPROVAL	Jacky Lin	DATE	01/26-'11		
		SHEET	1-2	SCALE	Not to scale
		UNIT	mm		

TOLERANCE/CLASS			
RANGE(mm)	1	2	3
≤30	±0.10	0.15	0.20
30<- ≤120	±0.15	0.20	0.30
120<- ≤300	±0.20	0.30	0.50
300<	±0.30	0.50	0.80
ANGLES	±2.5°		

**EMI STOP CORP.**  
 EMI STOP  
 EMISTOP SUL-35A2M

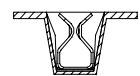
CUS P/N

00 10/08-'19

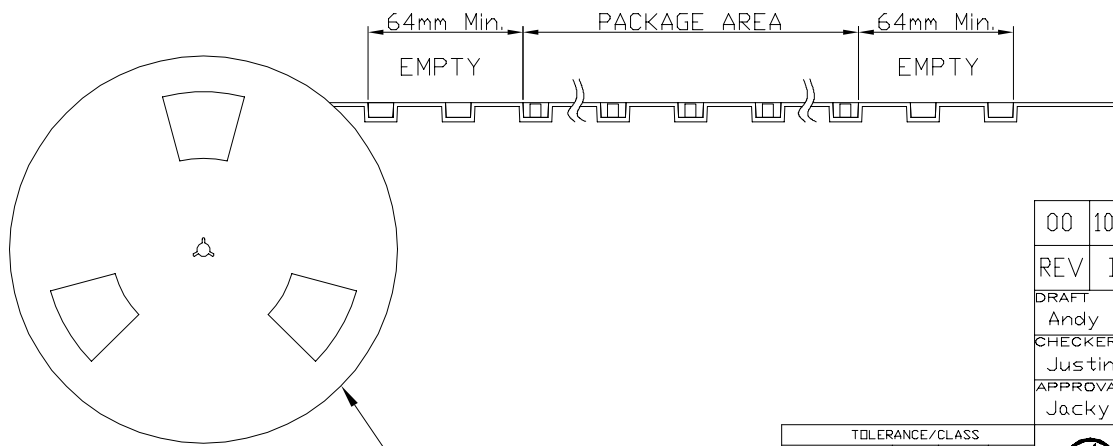


Side View

FEEDING DIRECTION



Front View



Package Information:  
 1.Quantity Per Reel: 2000PCS  
 2.REEL: 13"X 16 mm

REEL(13'')

00	10/08-'19	Design creation		
REV	Date	Description		
DRAFT	Andy □	DATE	10/08-'19	<b>RoHS Compatible</b>
CHECKER	Justin Wu	DATE	10/08-'19	
APPROVAL	Jacky Lin	DATE	10/08-'19	SHEET 2-2
		SCALE	Not to scale	UNIT mm

TOLERANCE/CLASS			
RANGE(mm)	1	2	3
≤30	±0.10	0.15	0.20
30<- ≤120	±0.15	0.20	0.30
120<- ≤300	±0.20	0.30	0.50
300<	±0.30	0.50	0.80
ANGLES	±2.5°		

**EMI STOP CORP.**

EMISTOP  
 SUL-35A2M

CUS P/N