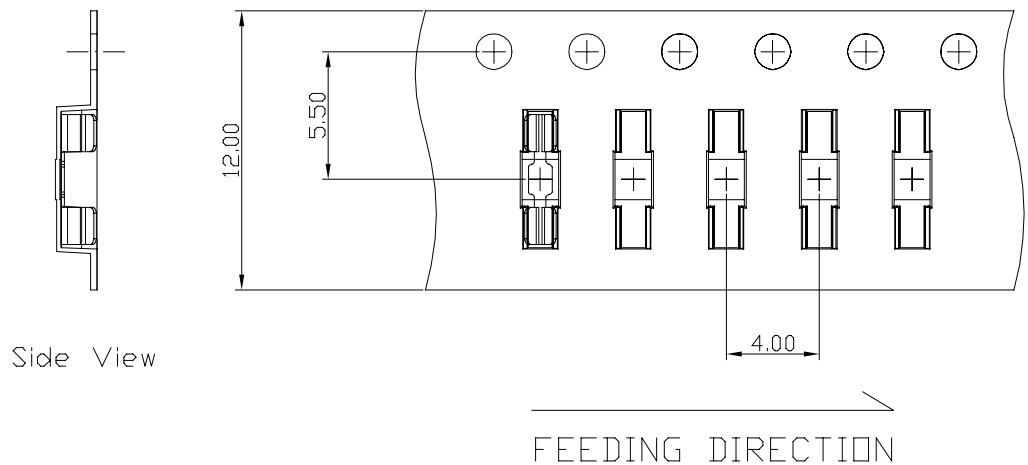


Note:
 1. Material: Stainless steel Thickness 0.15mm
 2. Electroplate:
 Matte Sn over all
 Nickel underplating over all
 3. Operating Temperature: -20℃~+85℃
 4. Recommended conditions shielding cover 0.15&0.20mm

| TOLERANCE/CLASS | | | |
|-----------------|-------|------|------|
| RANGE(mm) | 1 | 2 | 3 |
| ≤30 | ±0.10 | 0.15 | 0.20 |
| 30<- ≤120 | ±0.15 | 0.20 | 0.30 |
| 120<- ≤300 | ±0.20 | 0.30 | 0.50 |
| 300< | ±0.30 | 0.50 | 0.80 |
| ANGLES | ±2.5° | | |

| | | | | | |
|-----------------------------------|------------|-------------------------------|-----------|----------------------------------|--------------|
| 00 | 07/17-'13 | Design creation | | | |
| REV | Date | Description | | | |
| DRAFT | Roy Li | DATE | 07/17-'13 | RoHS Compatible | |
| CHECKER | Gabby Weng | DATE | 07/17-'13 | | |
| APPROVAL | Jacky Lin | DATE | 07/17-'13 | | |
| | | SHEET | 1-2 | SCALE | Not to scale |
| | | UNIT | mm | | |
| EMI STOP CORP. EMI STOP | | EMISTOP SUL-15A7Q1M | | | |
| | | CUS P/N | | | |

00 10/31-'19

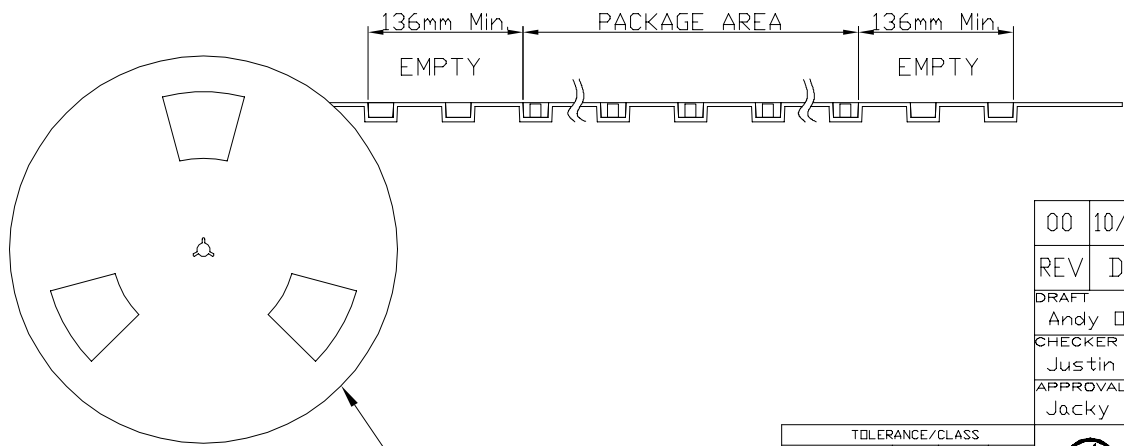


Side View

FEEDING DIRECTION



Front View



REEL(7")

Package Information:
 1.Quantity Per Reel: 2500PCS
 2.REEL: 7"X 12 mm

| | | | | |
|----------|-----------|-----------------|-----------------|--------------|
| 00 | 10/31-'19 | Design creation | | |
| REV | Date | Description | | |
| DRAFT | Andy □ | DATE | RoHS Compatible | |
| CHECKER | Justin Wu | DATE | 10/31-'19 | |
| APPROVAL | Jacky Lin | DATE | SHEET | SCALE |
| | | 10/31-'19 | 2-2 | Not to scale |
| | | | UNIT | mm |

| TOLERANCE/CLASS | | | |
|-----------------|-------|------|------|
| RANGE(mm) | 1 | 2 | 3 |
| ≤30 | ±0.10 | 0.15 | 0.20 |
| 30<- ≤120 | ±0.15 | 0.20 | 0.30 |
| 120<- ≤300 | ±0.20 | 0.30 | 0.50 |
| 300< | ±0.30 | 0.50 | 0.80 |
| ANGLES | ±2.5° | | |



EMI STOP CORP.

EMI STOP

EMISTOP
SUL-15A7Q1M

CUS P/N