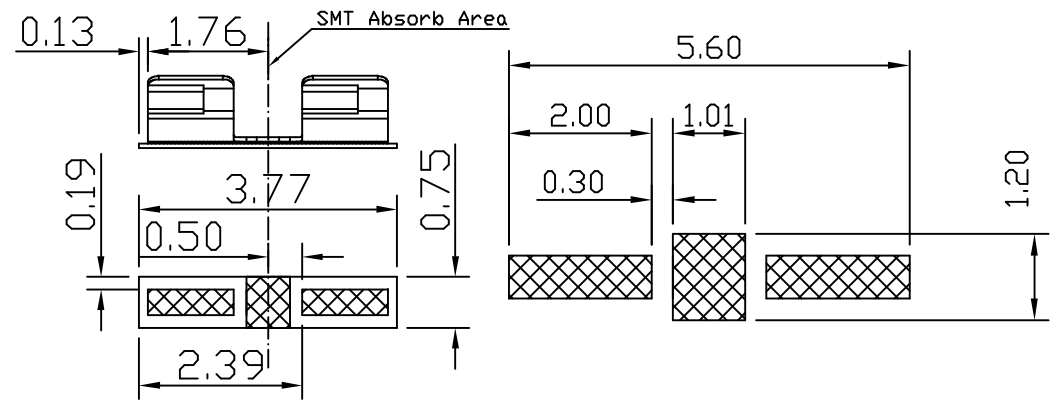
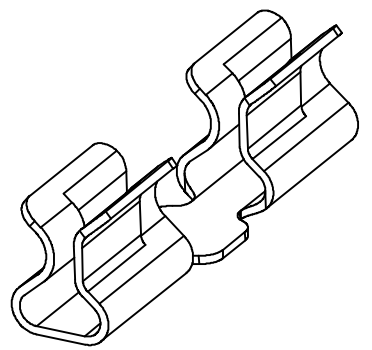
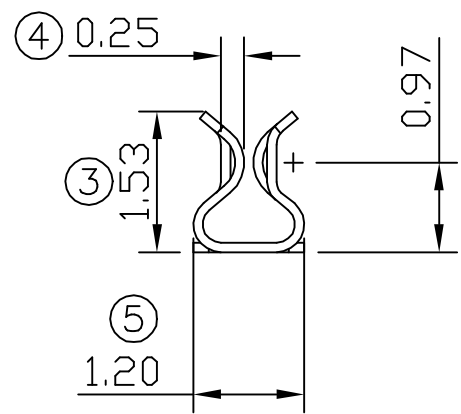
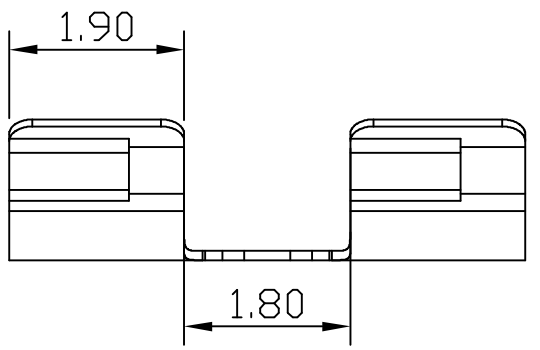


Place Area Nozzle



RECOMMENDED SOLDERING PCB LAYOUT
TOLERANCE(.XX±0.05)

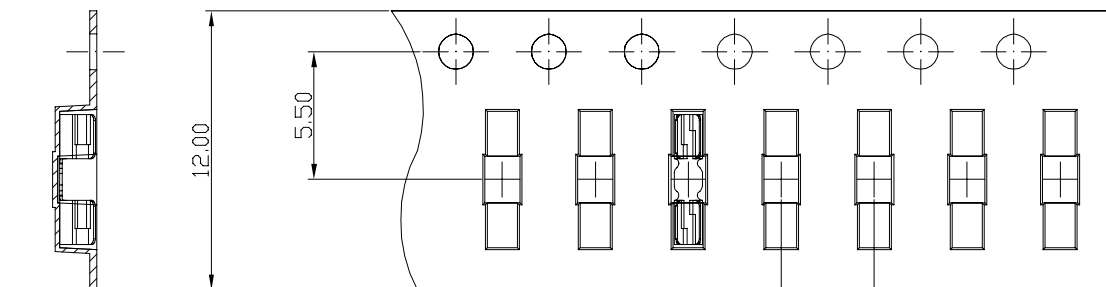


Note:
 1. Material: Stainless steel Thickness 0.15mm
 2. Electroplate:
 Matte Sn over all
 Nickel underplating over all
 3. Operating Temperature: -20℃~+85℃
 4. Recommended conditions shielding cover 0.20mm & 0.30mm

TOLERANCE/CLASS			
RANGE(mm)	1	2	3
≤30	±0.10	0.15	0.20
30<- ≤120	±0.15	0.20	0.30
120<- ≤300	±0.20	0.30	0.50
300<	±0.30	0.50	0.80
ANGLES	±2.5°		

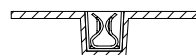
00	08/31-'10	Design creation			
REV	Date	Description			
DRAFT	Timmy Lai	DATE	08/31-'10	RoHS Compatible	
CHECKER	Benedick Lalng	DATE	08/31-'10		
APPROVAL	Jacky Lin	DATE	08/31-'10		
		SHEET	1-2	SCALE	Not to scale
		UNIT	mm		
EMI STOP CORP. EMI STOP		CUS P/N			
EMISTOP		SUL-15A3M			

00 10/08-'19

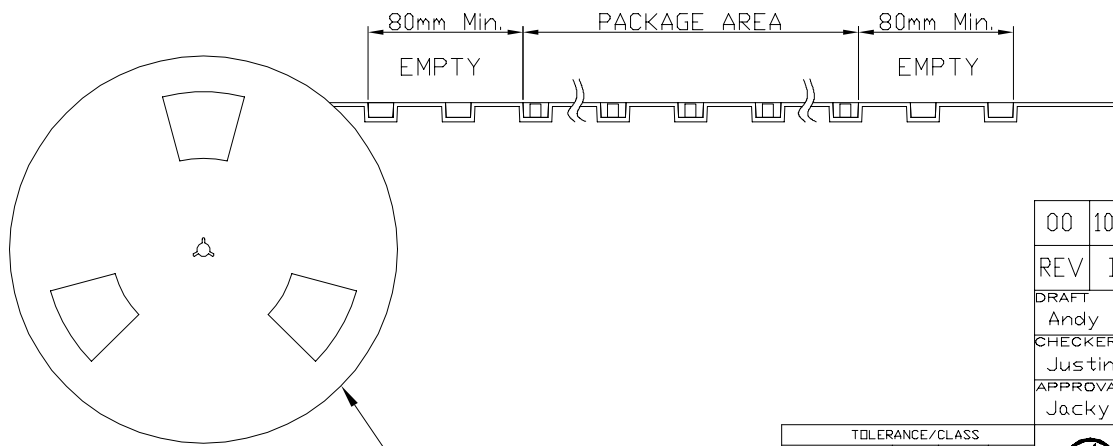


Side View

FEEDING DIRECTION



Front View




REEL(13")

Package Information:
 1.Quantity Per Reel: 8000PCS
 2.REEL: 13"X 12 mm

TOLERANCE/CLASS			
RANGE(mm)	1	2	3
≤30	±0.10	0.15	0.20
30<- ≤120	±0.15	0.20	0.30
120<- ≤300	±0.20	0.30	0.50
300<	±0.30	0.50	0.80
ANGLES	±2.5°		

00	10/08-'19	Design creation		
REV	Date	Description		
DRAFT	Andy □	DATE	RoHS Compatible	
CHECKER	Justin Wu	DATE		
APPROVAL	Jacky Lin	DATE	SHEET	SCALE
		10/08-'19	2-2	Not to scale
			UNIT	mm


EMI STOP CORP.
 EMI STOP
 EMISTOP
 SUL-15A3M
 CUS P/N