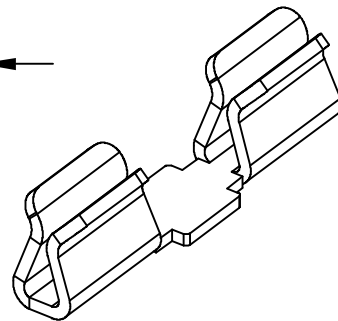
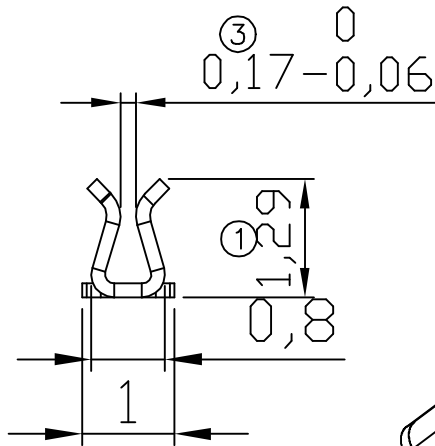
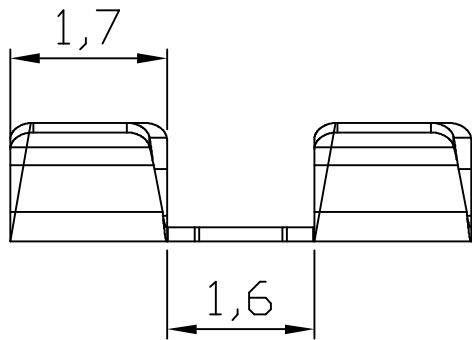


RECOMMENDED SOLDERING PCB LAYOUT
TOLERANCE(.XX±0.05)



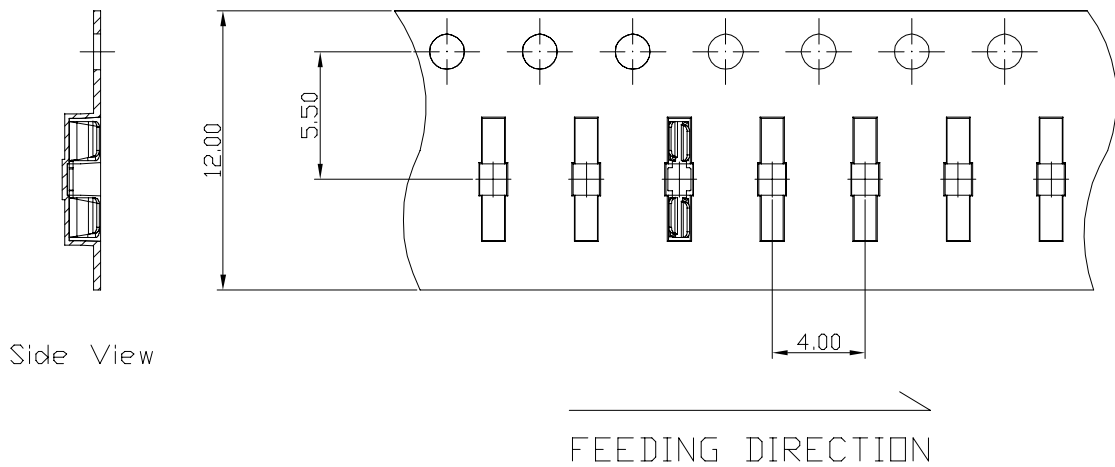
Note:

1. Material: Stainless steel Thickness 0.15mm
2. Electroplate:
Matte Sn over all
Nickel underplating over all
3. Operating Temperature: -20℃~+85℃
4. Recommended conditions shielding cover 0.20mm

TOLERANCE/CLASS			
RANGE(mm)	1	2	3
≤30	±0.10	0.15	0.20
30<- ≤120	±0.15	0.20	0.30
120<- ≤300	±0.20	0.30	0.50
300<	±0.30	0.50	0.80
ANGLES	±2.5°		

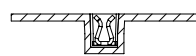
00	11/11-'11	Design creation			
REV	Date	Description			
DRAFT	Gobby Weng	DATE	11/11-'11		
CHECKER	Jacky Lin	DATE	11/11-'11		
APPROVAL	Jacky Lin	DATE	SHEET	SCALE	UNIT
		11/11-'11	1-2	Not to scale	mm
RoHS Compatible					
EMI STOP CORP.					
EMI STOP					
EMISTOP			CUS P/N		
SUL-1320A1M					

00 10/08-'19

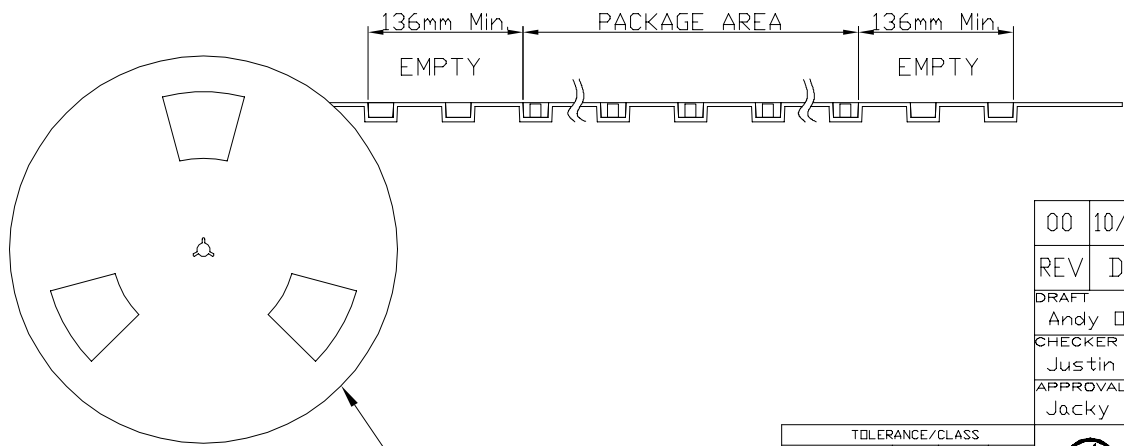


Side View

FEEDING DIRECTION



Front View




Package Information:
 1.Quantity Per Reel: 9700PCS
 2.REEL: 13"X 12 mm

REEL(13")

TOLERANCE/CLASS			
RANGE(mm)	1	2	3
≤30	±0.10	0.15	0.20
30<- ≤120	±0.15	0.20	0.30
120<- ≤300	±0.20	0.30	0.50
300<	A 0.30	0.50	0.80
ANGLES	±2.5°		

00	10/08-'19	Design creation		
REV	Date	Description		
DRAFT	Andy □	DATE	RoHS Compatible	
CHECKER	Justin Wu	DATE		
APPROVAL	Jacky Lin	DATE	SHEET	SCALE
		10/08-'19	2-2	Not to scale
			UNIT	mm


EMI STOP CORP.
 EMI STOP
 SUL-1320A1M
 CUS P/N