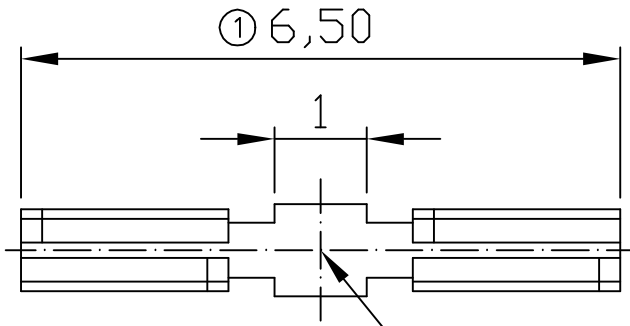
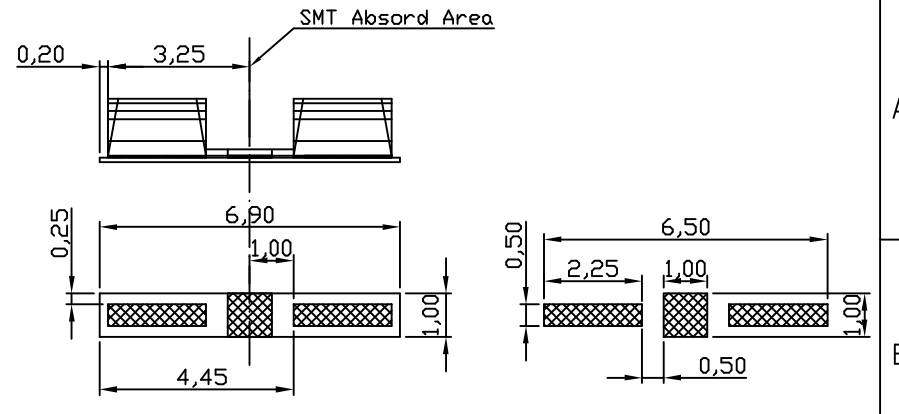
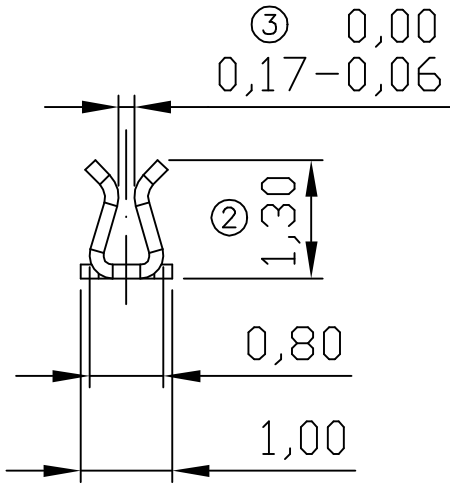
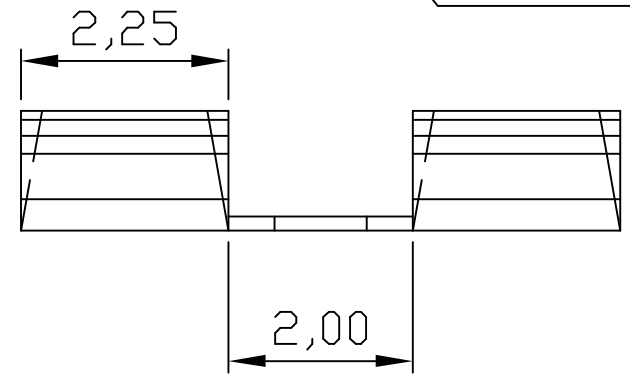


A
B
C
D
E
F

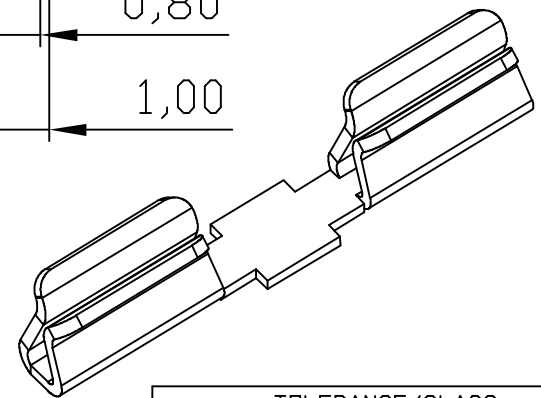


Place Area Nozzle



RECOMMENDED SOLDERING PCB LAYOUT

TOLERANCE(.XX±0.05)

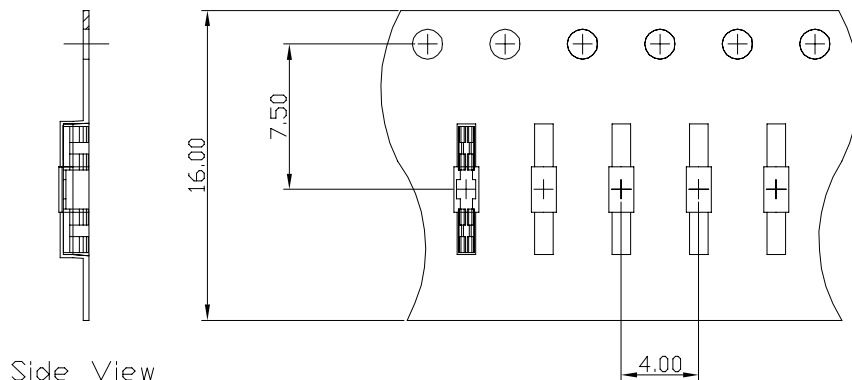


- Note:
1. Material: Stainless steel Thickness 0.15mm
 2. Electroplate:
Matte Sn over all
Nickel underplating over all
 3. Operating Temperature: -20℃~+85℃
 4. Recommended conditions shielding cover 0.20mm

TOLERANCE/CLASS			
RANGE(mm)	1	2	3
≤30	±0.10	0.15	0.20
30<- ≤120	±0.15	0.20	0.30
120<- ≤300	±0.20	0.30	0.50
300<	±0.30	0.50	0.80
ANGLES	±2.5°		

00	07/27-'11	Design creation			
REV	Date	Description			
DRAFT	Justin Wu	DATE	07/27-'11	RoHS Compatible	
CHECKER	Jacky Lin	DATE	05/18-'11		
APPROVAL	Jacky Lin	DATE	07/27-'11	SHEET	1-2
		SCALE	Not to scale	UNIT	mm
		EMI STOP CORP.			
		EMI STOP		EMISTOP SUL-12A1M	
			CUS P/N		

00 10/31-'19

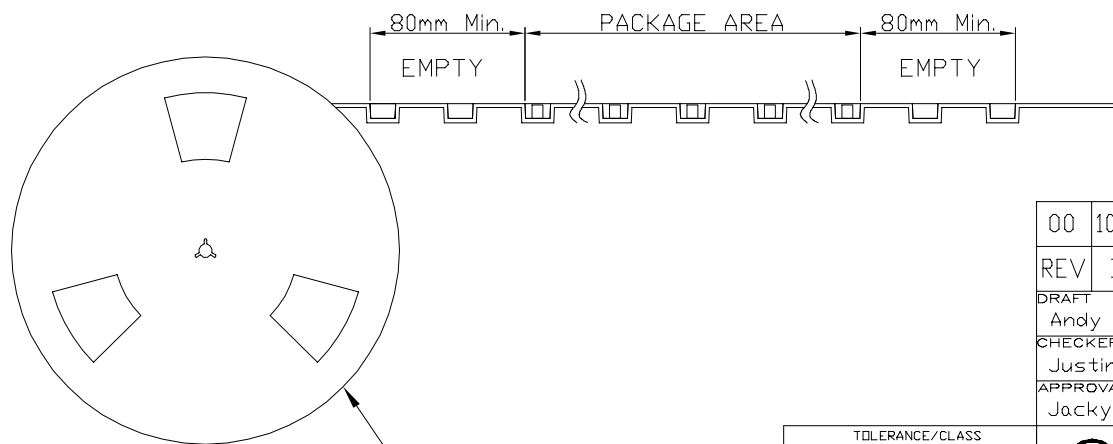


Side View

FEEDING DIRECTION



Front View



REEL(13")

Package Information:
 1.Quantity Per Reel: 8000PCS
 2.REEL: 13"X 16 mm

00	10/31-'19	Design creation		
REV	Date	Description		
DRAFT	DATE	RoHS Compatible		
Andy □	10/31-'19			
CHECKER	DATE			
Justin Wu	10/31-'19			
APPROVAL	DATE	SHEET	SCALE	UNIT
Jacky Lin	10/31-'19	2-2	Not to scale	mm

TOLERANCE/CLASS			
RANGE(mm)	1	2	3
≤30	±0.10	0.15	0.20
30<- ≤120	±0.15	0.20	0.30
120<- ≤300	±0.20	0.30	0.50
300<	±0.30	0.50	0.80
ANGLES	±2.5°		



EMI STOP CORP.

EMI STOP

EMISTOP

SUL-12A1M

CUS P/N