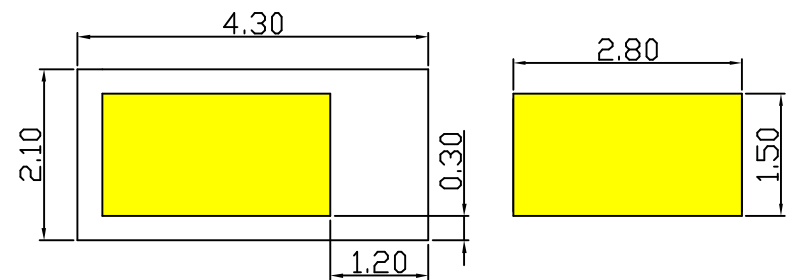
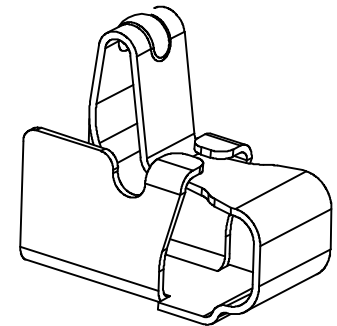
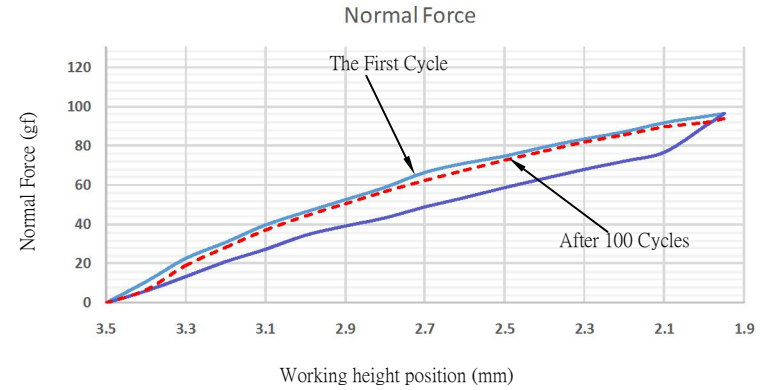
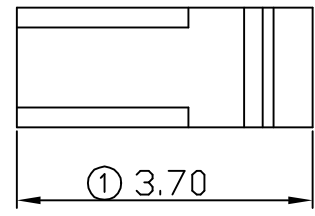
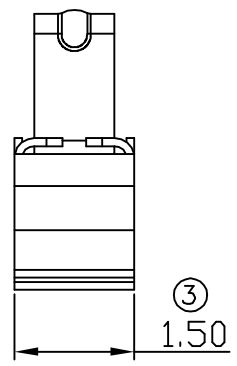
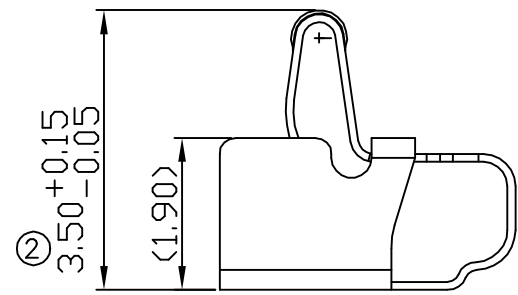
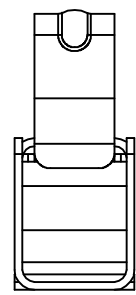
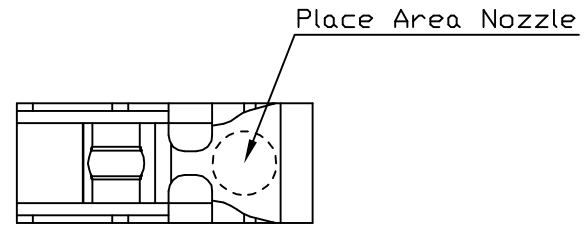


A
B
C
D
E
F



RECOMMENDED SOLDERING PCB LAYOUT
TOLERANCE(.XX±0.05)



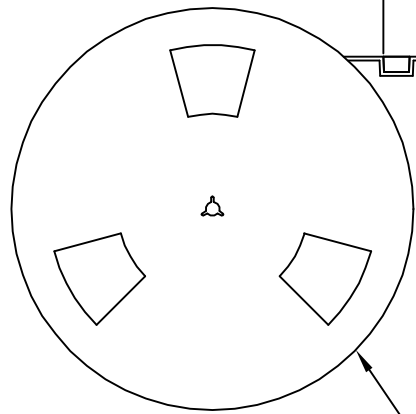
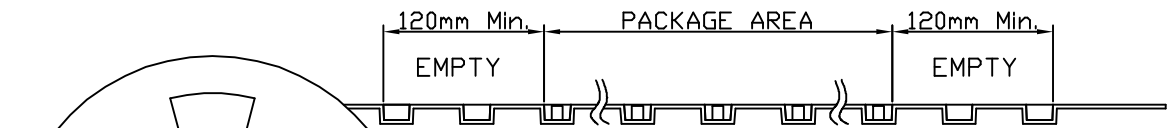
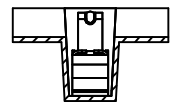
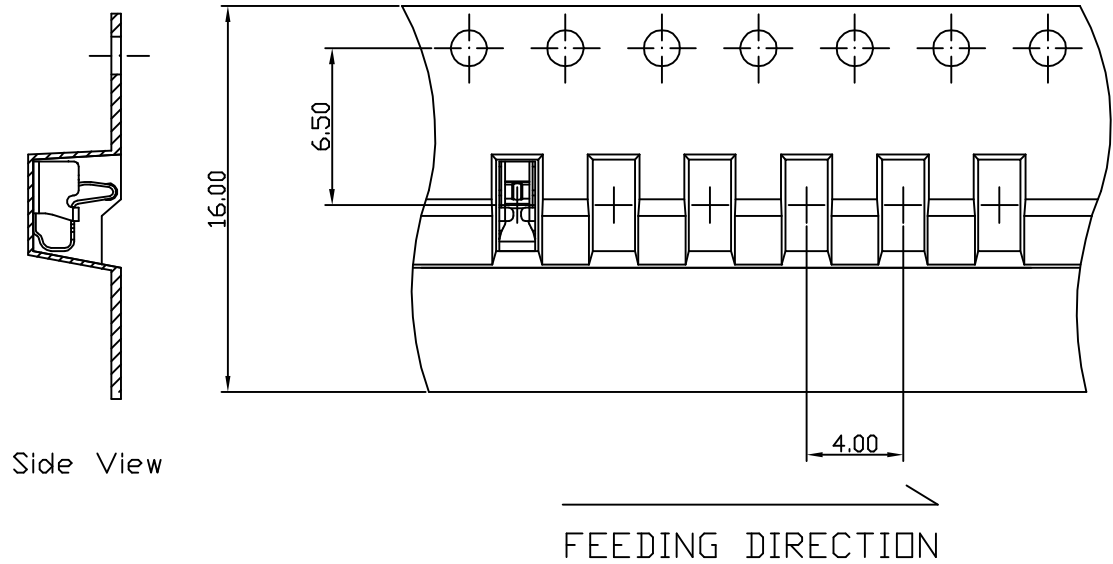
- Note:
1. Material: Titanium copper Thickness 0.10mm
 2. Electroplate:
 - Gold Flash on contact area
 - Gold Flash on solder area
 - Nickel underplating over all
 3. Electrical Characteristics:
 - 3-1 Current Voltage: 12V
 - 3-2 Current Rate: 3A
 - 3-3 Contact Resistance: Normal Compression <30mΩ
 4. Working Height of Application: 1.95~3.00 mm
 5. Spring Force Tolerance is ±20gf
 6. Operating Temperature: -20℃~+85℃

| | | | | | |
|----------|------------|-----------------|-----------|---------------------------|--------------|
| 00 | 05/15-'19 | Design creation | | | |
| REV | Date | Description | | | |
| DRAFT | Lydia Tsai | DATE | 05/15-'19 | RoHS Compatible | |
| CHECKER | Justin Wu | DATE | 05/15-'19 | | |
| APPROVAL | Jacky Lin | DATE | 05/02-'16 | | |
| | | SHEET | 1-2 | SCALE | Not to scale |
| | | UNIT | mm | | |

| TOLERANCE/CLASS | | | |
|-----------------|-------|------|------|
| RANGE(mm) | 1 | 2 | 3 |
| ≤30 | ±0.10 | 0.15 | 0.20 |
| 30<- ≤120 | ±0.15 | 0.20 | 0.30 |
| 120<- ≤300 | ±0.20 | 0.30 | 0.50 |
| 300< | ±0.30 | 0.50 | 0.80 |
| ANGLES | ±2.5° | | |

EMI STOP CORP.
 EMI STOP
 EMISTOP QTT-35A2G CUS P/N

00 06/26-19'



Package Information:
 1.Quantity Per Reel: 4500PCS
 2.REEL: 13"X 16 mm

| | | | | |
|----------|-----------|-----------------|-----------|--------------|
| 00 | 06/26-19' | Design creation | | |
| REV | Date | Description | | |
| DRAFT | Andy □ | DATE | 06/26-19' | |
| CHECKER | Justin Wu | DATE | 06/26-19' | |
| APPROVAL | Jacky Lin | DATE | SHEET | SCALE |
| | | 06/26-19' | 2-2 | Not to scale |
| | | | UNIT | mm |

RoHS
Compatible

| TOLERANCE/CLASS | | | |
|-----------------|-------|------|------|
| RANGE(mm) | 1 | 2 | 3 |
| ≤30 | ±0.10 | 0.15 | 0.20 |
| 30<- ≤120 | ±0.15 | 0.20 | 0.30 |
| 120<- ≤300 | ±0.20 | 0.30 | 0.50 |
| 300< | ±0.30 | 0.50 | 0.80 |
| ANGLES | ±2.5° | | |

EMI STOP CORP.

EMISTOP QTT-35A2G CUS P/N