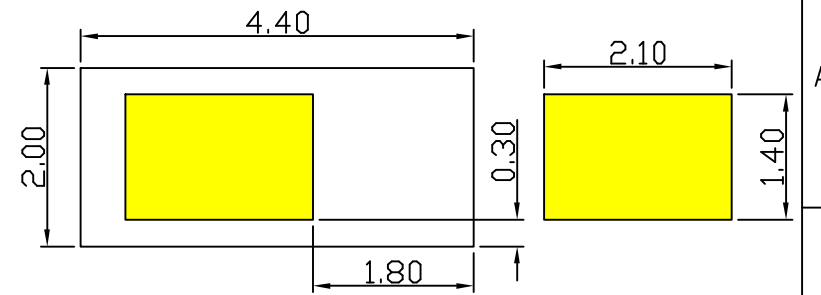
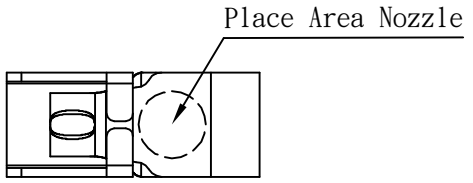
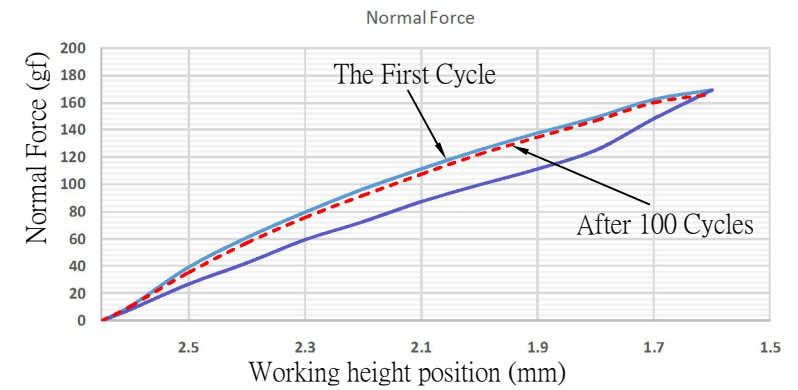
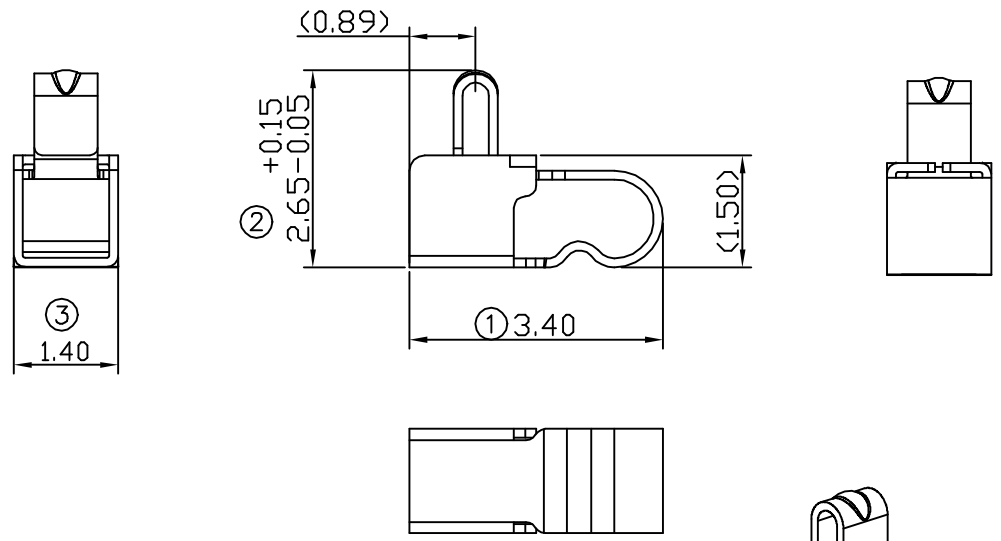


00 01/30-'19



RECOMMENDED SOLDERING PCB LAYOUT
TOLERANCE(.XX±0.05)



- Note:
1. Material: Copper Alloy Thickness 0.12mm
 2. Electroplate:
 - Gold flash on contact area
 - Gold Flash on solder area
 - Nickel underplating over all
 3. Electrical Characteristics:
 - 3-1 Current Voltage: 12V
 - 3-2 Current Rate: 3A
 - 3-3 Contact Resistance: Normal Compression <math>< 30m\Omega</math>
 4. Working Height of Application: 1.60~2.20 mm
 5. Spring Force Tolerance is $\pm 20gf$
 6. Operating Temperature: $-20^{\circ}C \sim +85^{\circ}C$

00	01/30-'19	Design creation								
REV	Date	Description								
DRAFT	Lydia Tsai	DATE	01/30-'19	RoHS Compatible						
CHECKER	Justin Wu	DATE	01/30-'19							
APPROVAL	Jacky Lin	DATE	01/30-'19			SHEET	1-2	SCALE	Not to scale	UNIT

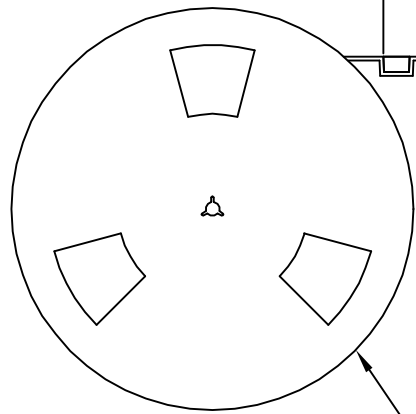
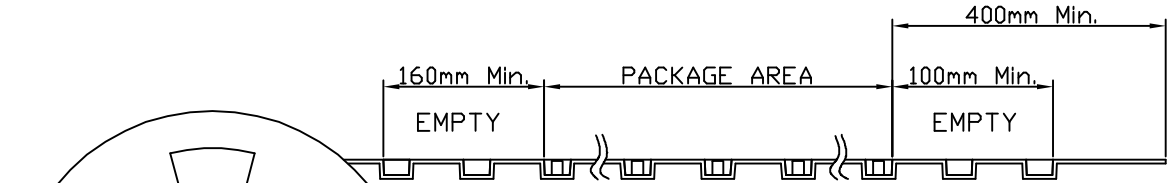
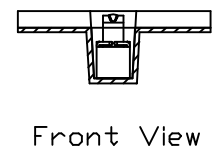
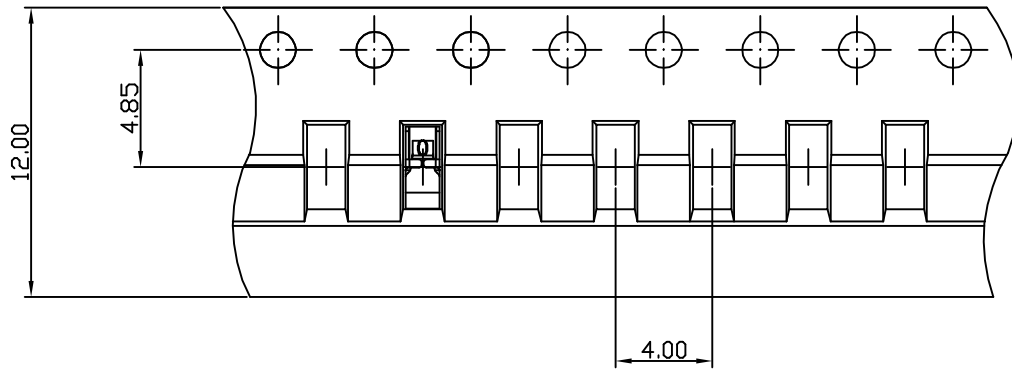
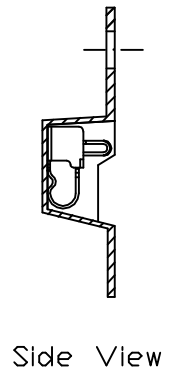
TOLERANCE/CLASS			
RANGE(mm)	1	2	3
≤30	±0.10	0.15	0.20
30<- ≤120	±0.15	0.20	0.30
120<- ≤300	±0.20	0.30	0.50
300<	±0.30	0.50	0.80
ANGLES	±2.5°		

EMI STOP CORP.

EMI STOP

EMISTOP	CUS P/N
QTT-26G-1	

00 09/02-19'



Package Information:
 1.Quantity Per Reel: 5300PCS
 2.REEL: 13"X 12 mm

00	09/02-19'	Design creation		
REV	Date	Description		
DRAFT	Andy □	DATE	09/02-19'	
CHECKER	Justin Wu	DATE	09/02-19'	
APPROVAL	Jacky Lin	DATE	SHEET	SCALE
		09/02-19'	2-2	Not to scale
			UNIT	mm

RoHS
Compatible

TOLERANCE/CLASS			
RANGE(mm)	1	2	3
≤30	±0.10	0.15	0.20
30<- ≤120	±0.15	0.20	0.30
120<- ≤300	±0.20	0.30	0.50
300<	±0.30	0.50	0.80
ANGLES	±2.5°		

EMI STOP CORP.

EMISTOP
QTT-26G-1

CUS P/N