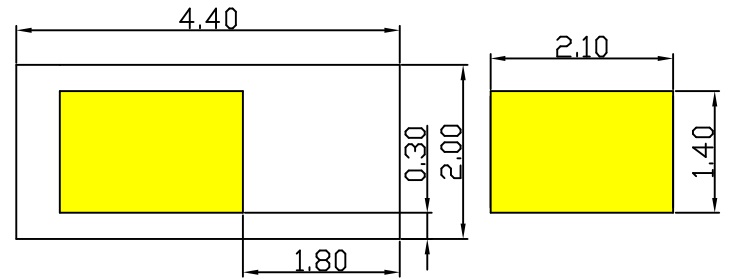
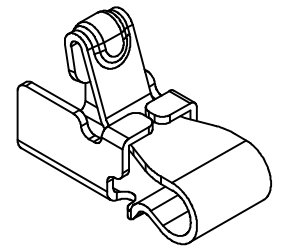
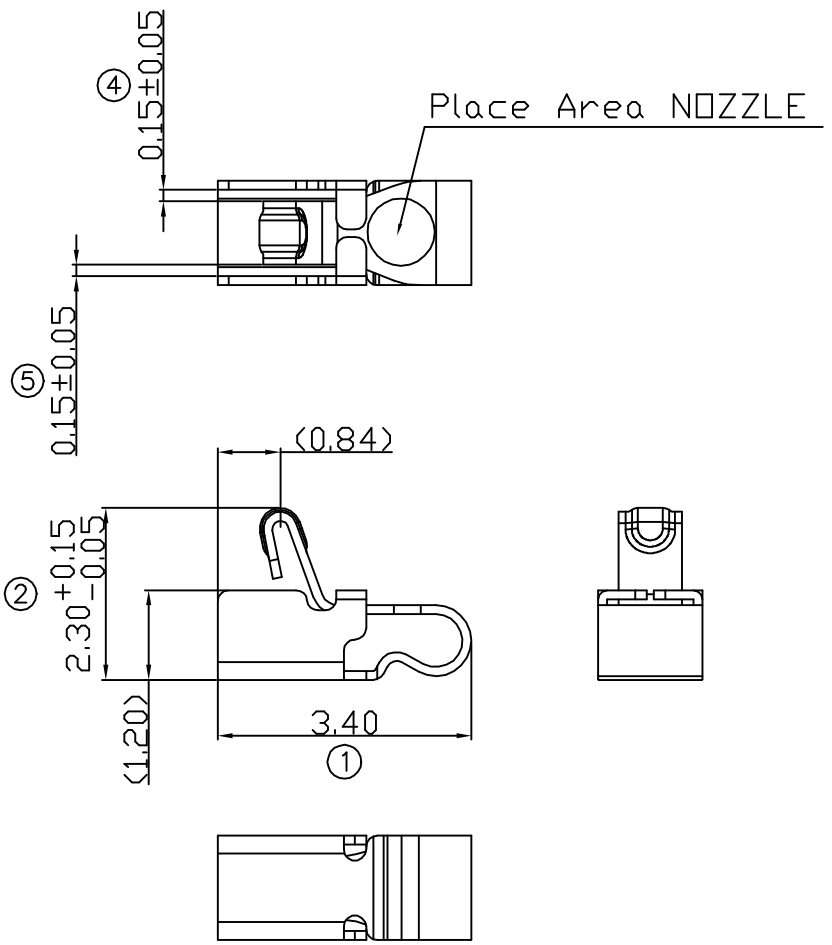
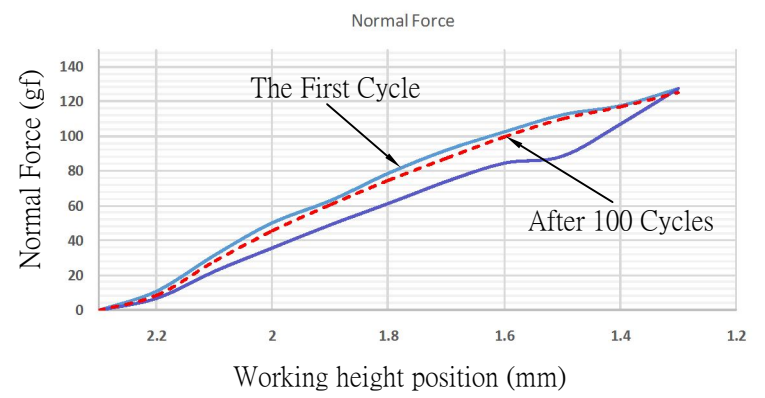


A
B
C
D
E
F



RECOMMENDED SOLDERING PCB LAYOUT
TOLERANCE(.XX±0.05)



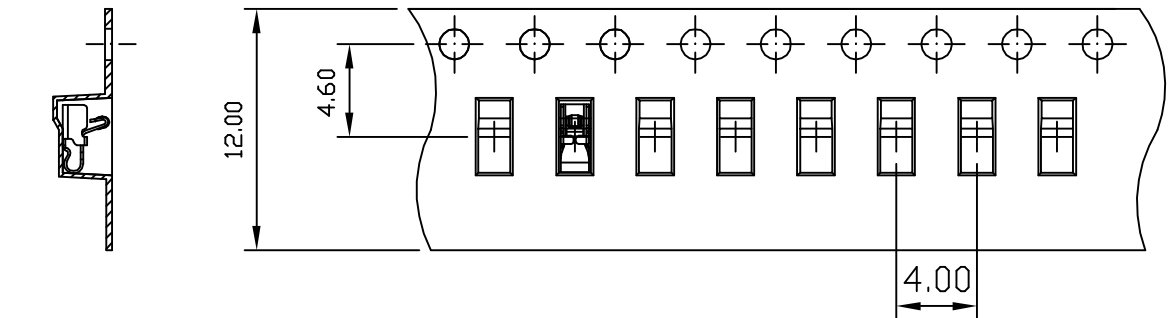
- Note:
- Material: Copper Alloy Thickness 0.12mm
 - Electroplate:
 - Gold Flash on contact area
 - Gold Flash on solder area
 - Nickel underplating over all
 - Electrical Characteristics:
 - 3-1 Current Voltage: 12V
 - 3-2 Current Rate: 3A
 - 3-3 Contact Resistance: Normal Compression <math>< 30m\Omega</math>
 - Working Height of Application: 1.30~1.90 mm
 - Spring Force Tolerance is $\pm 20gf$
 - Operating Temperature: $-20^{\circ}C \sim +85^{\circ}C$

00	05/04-'16	Design creation						
REV	Date	Description						
DRAFT	Hardy Hsieh	DATE	05/04-'16	RoHS Compatible				
CHECKER	Justin Wu	DATE	05/04-'16					
APPROVAL	Jacky Lin	DATE	05/04-'16					
		SHEET	1-2	SCALE	Not to scale	UNIT	mm	

TOLERANCE/CLASS			
RANGE(mm)	1	2	3
≤30	±0.10	0.15	0.20
30<- ≤120	±0.15	0.20	0.30
120<- ≤300	±0.20	0.30	0.50
300<	±0.30	0.50	0.80
ANGLES	±2.5°		

EMI STOP CORP.
EMI STOP
EMISTOP QTT-23G CUS P/N

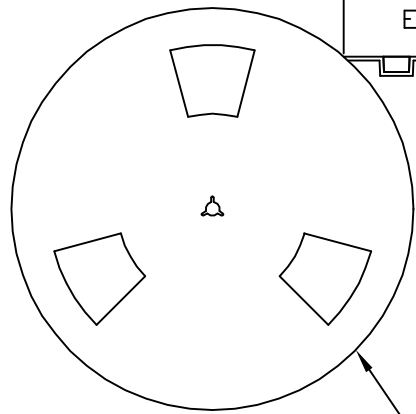
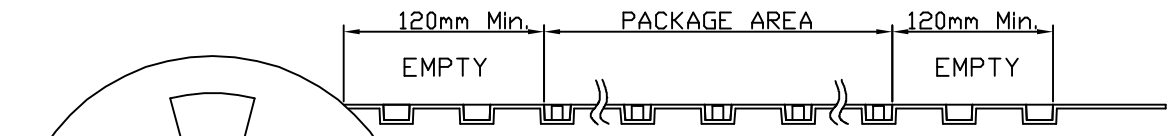
00 10/15-19'



Side View



Front View



REEL(13")

Package Information:
 1.Quantity Per Reel: 5700PCS
 2.REEL: 13"X 12 mm

00	10/15-19'	Design creation		
REV	Date	Description		
DRAFT	Kevin Chen	DATE	10/14-19'	RoHS Compatible
CHECKER	Justin Wu	DATE	10/14-19'	
APPROVAL	Jacky Lin	DATE	10/14-19'	SHEET 2-2
		SCALE	Not to scale	UNIT mm

TOLERANCE/CLASS			
RANGE(mm)	1	2	3
≤30	±0.10	0.15	0.20
30<- ≤120	±0.15	0.20	0.30
120<- ≤300	±0.20	0.30	0.50
300<	±0.30	0.50	0.80
ANGLES	±2.5°		

 **EMI STOP CORP.**
 EMI STOP

EMISTOP QTT-23G CUS P/N