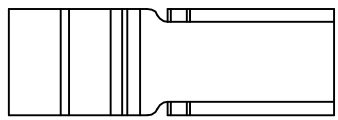
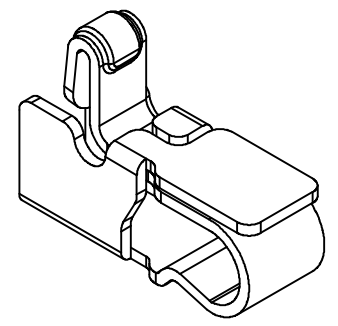
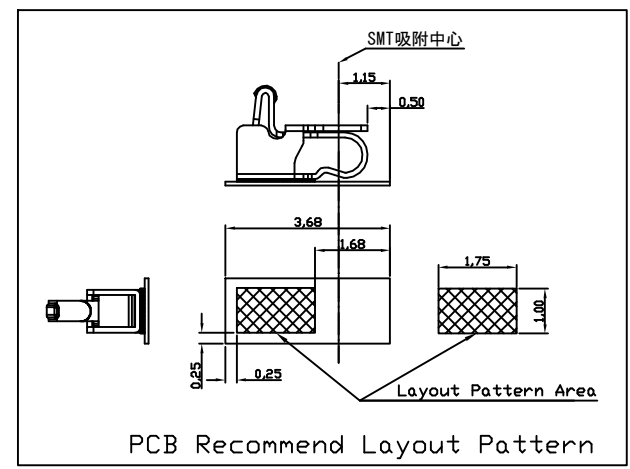
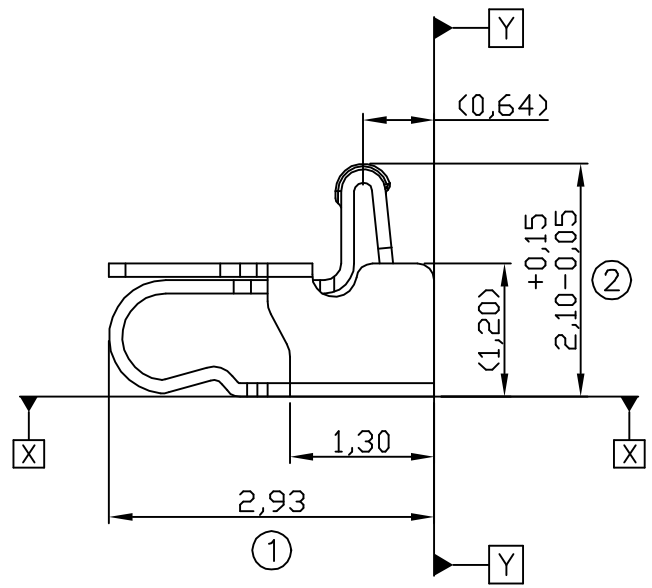
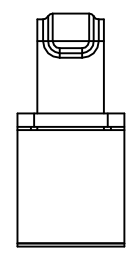
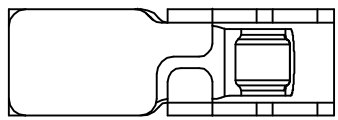


01 04/24-'14




Note:

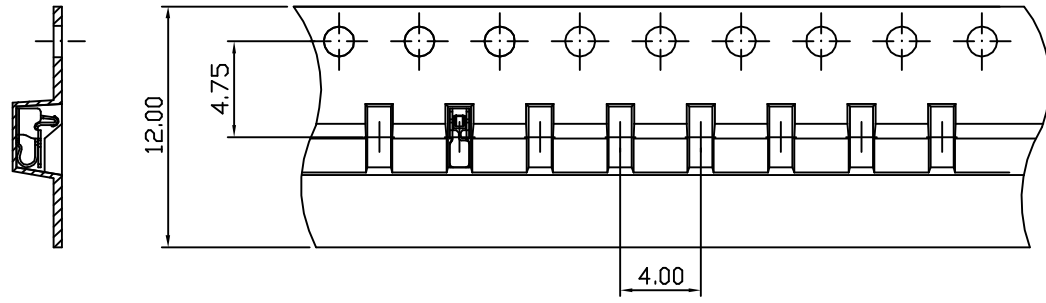
1. Material: Titanium copper
2. Thickness: 0.12mm
3. Electroplate:
Gold flash on contact area
Gold flash on solder area
Nickel underplating over all
4. Height of Application:
1.25 ~ 1.70mm (Single actuation)
1.30 ~ 1.70mm (Repeated actuation)
5. Conform RoHS/RoHS 2.0/GP/HSF/HF

TOLERANCE/CLASS			
RANGE(mm)	1	2	3
≤30	+ 0.1 - 0.15	+ 0.15 - 0.2	+ 0.2 - 0.3
30< - ≤120	+ 0.15 - 0.2	+ 0.2 - 0.3	+ 0.3 - 0.5
120< - ≤300	+ 0.2 - 0.3	+ 0.3 - 0.5	+ 0.5 - 0.8
300<	+ 0.3 - 0.5	+ 0.5 - 0.8	+ 0.8 - 1.2
ANGLES	+ 2.5°		

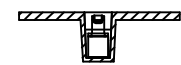
00	12/10-'13	新制訂		
DRAFT	Roy Li	DATE	12/10-13	TOLERANCES
CHECKER	Gobby Weng	DATE	12/10-13	.X± .XXX±
APPROVAL	Jacky Lin	DATE	12/10-13	.XX± ANGLES
DRAWING NO	承認 QTT-21G	REV	00	SHEET
		UNIT	1/1	mm
		SCALE	1:1	
MATERIAL				


EMI STOP CORP.
 EMI STOP
 PART NO. QTT-21G
 EMISTOP

00 10/21-'19

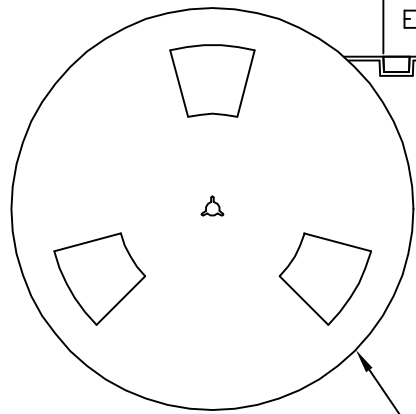
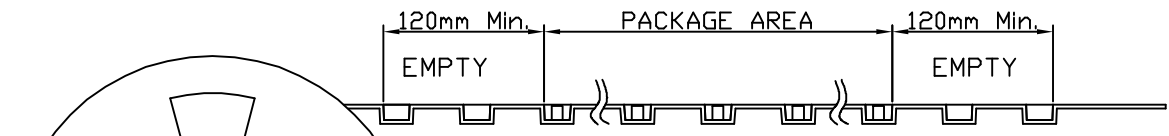


Side View



Front View

FEEDING DIRECTION



REEL(13")

Package Information:
 1.Quantity Per Reel: 6900PCS
 2.REEL: 13"X 12 mm

00	10/21-'19	Design creation			
REV	Date	Description			
DRAFT	Kevin Chen	DATE	10/21-'19	RoHS Compatible	
CHECKER	Justin Wu	DATE	10/21-'19		
APPROVAL	Jacky Lin	DATE	10/21-'19		
		SHEET	2-2	SCALE	Not to scale
		UNIT	mm		

TOLERANCE/CLASS			
RANGE(mm)	1	2	3
≤30	±0.10	0.15	0.20
30<- ≤120	±0.15	0.20	0.30
120<- ≤300	±0.20	0.30	0.50
300<	±0.30	0.50	0.80
ANGLES	±2.5°		

EMI STOP CORP.

EMI STOP

EMISTOP QTT-21G	CUS P/N
--------------------	---------