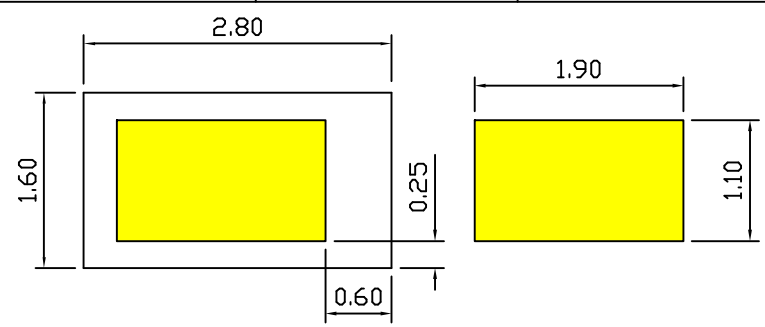
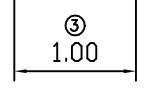
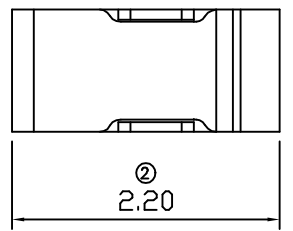
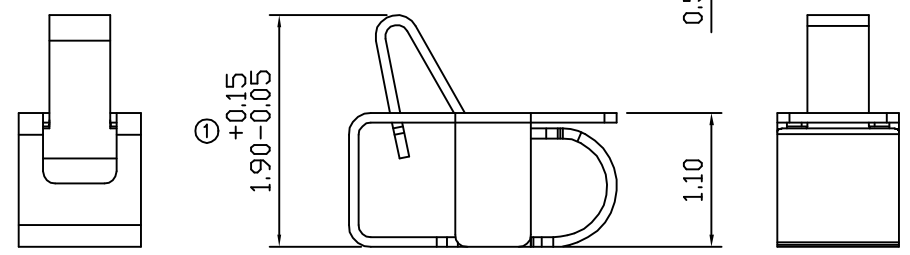
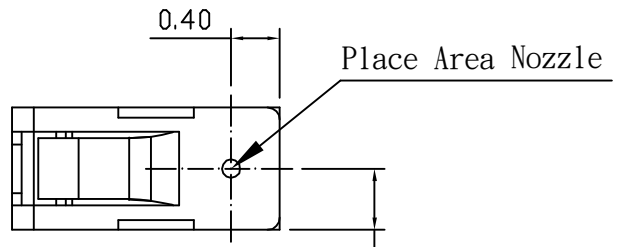
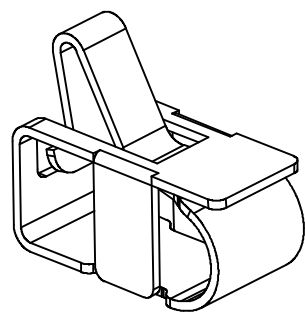
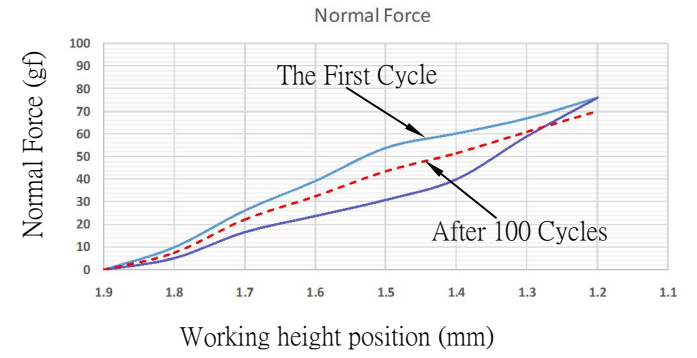


00 08/16-'19

A
B
C
D
E
F



RECOMMENDED SOLDERING PCB LAYOUT
TOLERANCE(.XX±0.05)



- Note:
1. Material: Titanium copper Thickness 0.08mm
 2. Electroplate:
Au>1u" on contact area
Gold Flash on solder area
Nickel underplating over all
 3. Electrical Characteristics:
3-1 Current Voltage: 12V
3-2 Current Rate: 3A
3-3 Contact Resistance: Normal Compression<30mΩ
 4. Working Height of Application: 1.20~1.50 mm
 5. Spring Force Tolerance is ±20gf
 6. Operating Temperature: -20℃~+85℃

00	08/16-'19	Design creation		
REV	Date	Description		
DRAFT	Hardy Hsieh	DATE	08/16-'19	RoHS Compatible
CHECKER	Justin Wu	DATE	08/16-'19	
APPROVAL	Jacky Lin	DATE	08/16-'19	SHEET 1-2
		SCALE	Not to scale	UNIT mm

TOLERANCE/CLASS			
RANGE(mm)	1	2	3
≤30	±0.10	0.15	0.20
30<- ≤120	±0.15	0.20	0.30
120<- ≤300	±0.20	0.30	0.50
300<	±0.30	0.50	0.80
ANGLES	±2.5°		

EMI STOP CORP.

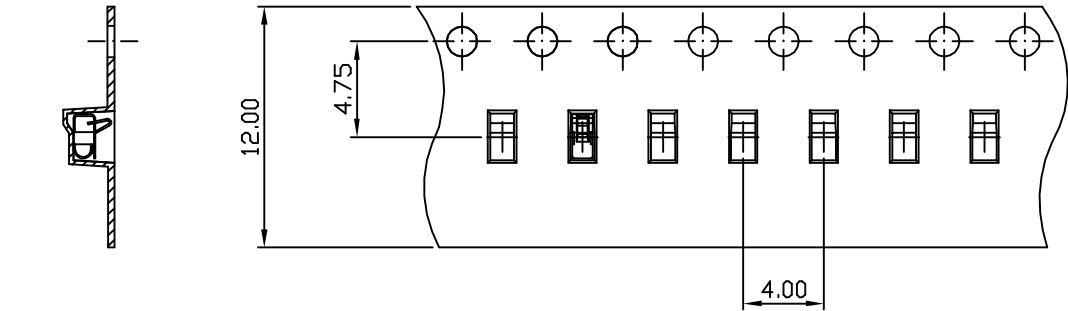
EMI STOP

EMISTOP QTT-19Q1G

CUS P/N

1 2 3 4 5 6 7 8

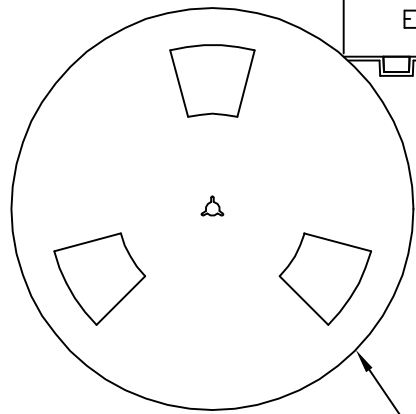
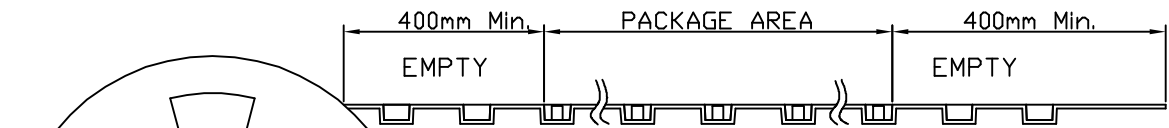
00 09/11-19'



Side View

FEEDING DIRECTION

Front View



REEL(13")

Package Information:
 1.Quantity Per Reel: 6700PCS
 2.REEL: 13"X 12 mm

00	09/11-19'	Design creation		
REV	Date	Description		
DRAFT	Kevin Chen	DATE	09/11-19'	RoHS Compatible
CHECKER	Justin Wu	DATE	09/11-19'	
APPROVAL	Jacky Lin	DATE	09/11-19'	SHEET 2-2
		SCALE	Not to scale	UNIT mm

TOLERANCE/CLASS			
RANGE(mm)	1	2	3
≤30	±0.10	0.15	0.20
30<- ≤120	±0.15	0.20	0.30
120<- ≤300	±0.20	0.30	0.50
300<	±0.30	0.50	0.80
ANGLES	±2.5°		

EMI STOP CORP.

EMISTOP QTT-19Q1G CUS P/N