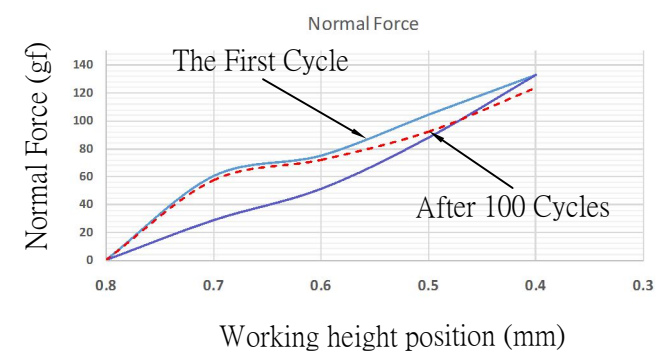


RECOMMENDED SOLDERING PCB LAYOUT
 TOLERANCE(.XX±0.05)



- Note:
1. Material: Stainless Steel Thickness 0.05mm
 2. Electroplate:
 Au >1u' on contact area
 Gold Flash on solder area
 Nickel underplating over all
 3. Electrical Characteristics:
 3-1 Current Voltage: 12V
 3-2 Current Rate: 3A
 3-3 Contact Resistance: Normal Compression < 50mΩ
 4. Working Height of Application: 0.38~0.50 mm
 5. Spring Force Tolerance is ±20gf
 6. Operating Temperature: -20℃~+85℃

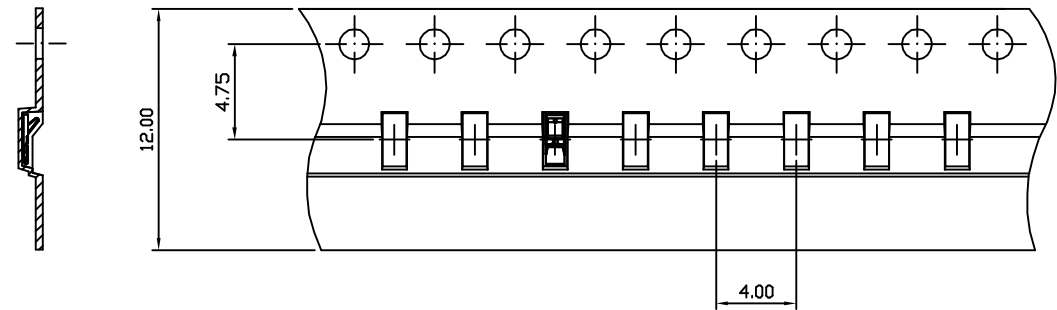
00	05/02-'16	Design creation						
REV	Date	Description						
DRAFT	Hardy Hsieh	DATE	05/02-'16	RoHS Compatible				
CHECKER	Justin Wu	DATE	05/02-'16					
APPROVAL	Jacky Lin	DATE	05/02-'16					
		SHEET	1-2	SCALE	Not to scale	UNIT	mm	

TOLERANCE/CLASS			
RANGE(mm)	1	2	3
≤30	±0.10	0.15	0.20
30<~120	±0.15	0.20	0.30
120<~300	±0.20	0.30	0.50
300<	±0.30	0.50	0.80
ANGLES	±2.5°		

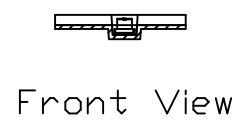
EMI STOP CORP.

EMI STOP

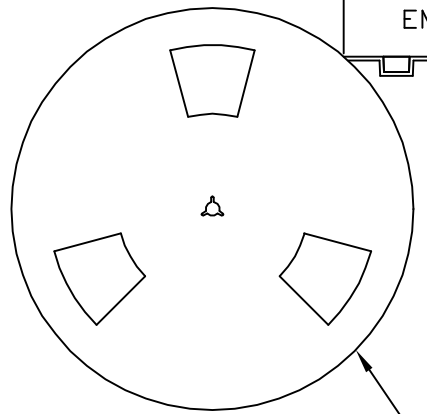
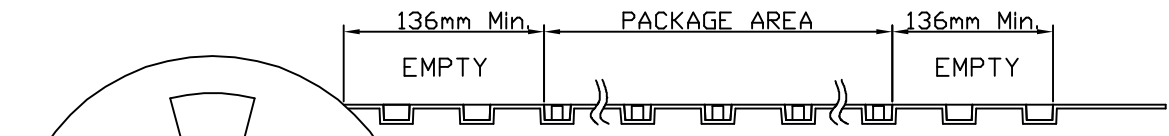
EMISTOP QTT-08G	CUS P/N
--------------------	---------



Side View



FEEDING DIRECTION



REEL(13'')

Package Information:
 1.Quantity Per Reel: 9700PCS
 2.REEL: 13"X 12 mm

00	10/15-'19	Design creation		
REV	Date	Description		
DRAFT	Kevin Chen	DATE	10/15-'19	RoHS Compatible
CHECKER	Justin Wu	DATE	10/15-'19	
APPROVAL	Jacky Lin	DATE	10/15-'19	SHEET 2-2
		SCALE	Not to scale	UNIT mm

TOLERANCE/CLASS			
RANGE(mm)	1	2	3
≤30	±0.10	0.15	0.20
30<- ≤120	±0.15	0.20	0.30
120<- ≤300	±0.20	0.30	0.50
300<	±0.30	0.50	0.80
ANGLES	±2.5°		

EMI STOP CORP.
 EMI STOP
 EMISTOP QTT-08G

CUS P/N