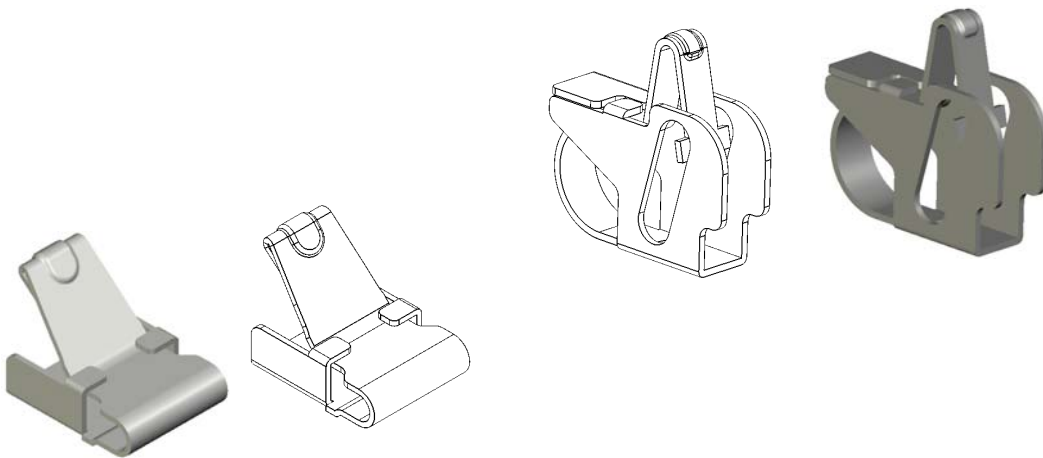




HIGH COMPRESSIBILITY - HIGH COMPRESSIBILITY -

QM SERIES QM SERIES

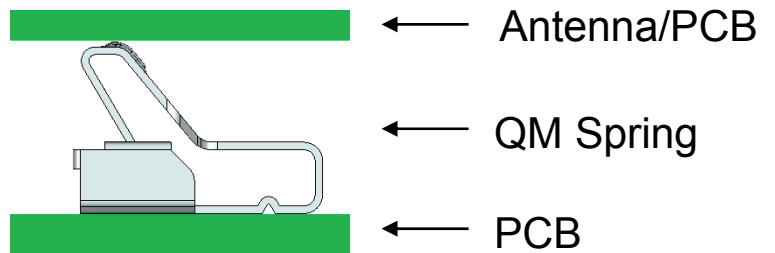
- High compression and stable contact point
- Anti overstressing and potential damage
- Anti-hook design



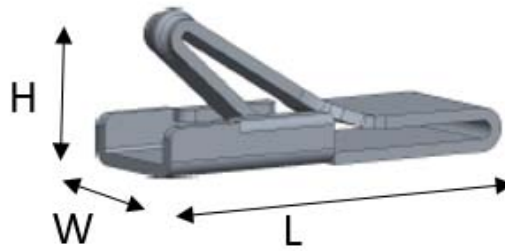
Grounding / EMI / Signal Solution

Applications

- Antenna Contact
- Grounding Contact
- Signal Transmission



QM series



P/N	Plating	Material	L (mm)	W (mm)	H (mm)	Working Height (mm)
QM-12A1G	Gold	Copper Alloy	3.20	1.00	1.25	0.50 ~ 0.95
QM-16A1Q1G	Gold	Copper Alloy	3.50	1.50	1.60	0.70 ~ 1.10
QM-18A6Q2G	Gold	Copper Alloy	2.63	1.70	1.80	0.80 ~ 1.40
QM-23A3Q1G	Gold	Copper Alloy	2.98	2.12	2.30	1.00 ~ 1.80
QM-27G	Gold	Titanium Copper	4.82	1.40	2.75	2.10 ~ 2.40
QM-30Q1G-1	Gold	Copper Alloy	4.50	1.50	3.00	1.50 ~ 2.70
QM-40A1Q2G-1	Gold	Copper Alloy	4.30	1.40	4.00	2.90 ~ 3.40
QM-48G	Gold	Beryllium Copper	4.89	1.40	4.80	3.50 ~ 4.40

service@emistop.com